

8301-02B MARGUERITE

SPECIFICATION

OUTSIDE: 72W x 32.5D x 39H

INSIDE: 72W x 20.5D

SEAT: 22H

DESCRIPTION: Sofa with Acrylic Legs

STANDARD THROW PILLOWS: 2 Round Bolsters (with velcro straps)

COM: Plain:: 11.00

Repeat of 2"-14": 13.75

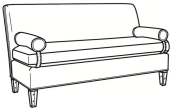
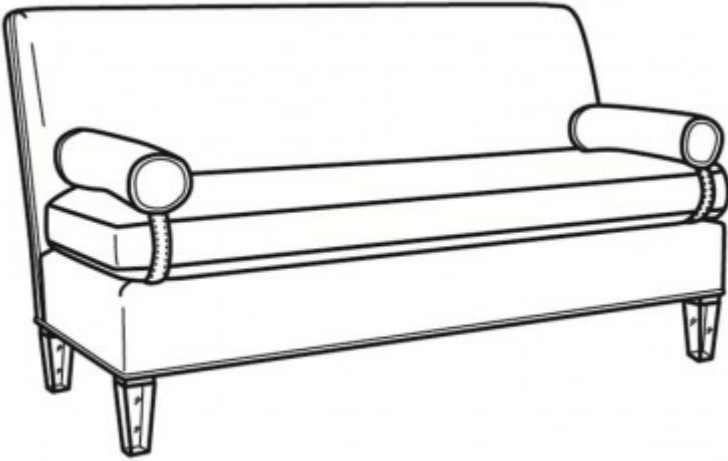
Repeat of 15"-27": 15.00

WEIGHT: 90 lbs.

COMMENTS: Seat cushion is standard weltless.

FABRICS/LEATHERS SHOWN:

FINISHES SHOWN:



RELATED PRODUCTS



SKU 8301-02BN
Marguerite



SKU 8301-05N
Marguerite



SKU 8300-02B
Marguerite