

PALECEK®

601 PARR BOULEVARD | RICHMOND | CA 94801

PENDANT INSTALLATION INSTRUCTIONS

Monterey Large Tiered Chandelier

231179

PROFESSIONAL INSTALLATION REQUIRED

CAUTION: BEFORE INSTALLING FIXTURE, MAKE SURE THE POWER TO THE CIRCUIT IS TURNED OFF AT THE MAIN FUSE BOX / CIRCUIT BREAKER UTILITY BOX.

Important Safety Instructions:

- These instructions are provided for your safety. It is important that they are read carefully before use to ensure safe operation of the product.
- Installation by a licensed professional electrician required.
- THIS PRODUCT MUST BE INSTALLED IN ACCORDANCE WITH THE APPLICABLE INSTALLATION CODES BY A PERSON FAMILIAR WITH THE CONSTRUCTION AND OPERATION OF THE PRODUCT AND THE HAZARDS INVOLVED.
- The weight of this lighting fixture exceeds 50 pounds. Fixtures weighing 50 lbs or more will require additional reinforcement above the ceiling where they are to be installed.
- **THIS LUMINAIRE MUST BE MOUNTED OR SUPPORTED INDEPENDENTLY OF AN OUTLET BOX.**
- The lighting fixture is meant for indoor use. It must be connected only to 3-wire, single-phase electrical supply systems (provided with Ground wire or equivalent protection system).
- For your safety, it is strongly recommended that minimum two people install the lighting fixture.
- This fixture has been rated for up to sixteen (16) **40-watt maximum E12 candelabra-base bulbs** (not included) or sixteen (16) **4.5-watt maximum** LED light bulbs (not included). To avoid the risk of fire, do not exceed the recommended lamp wattage.
- The lighting fixture is meant for indoor use, DRY LOCATIONS ONLY.
- **Save these instructions.**

WARNING:

- **To reduce the risk of fire, electrical shock or personal injury, always turn off light fixture and allow it to cool prior to replacing light bulb.**
- **Do not touch bulb when fixture is turned on. Do not look directly at lit bulb.**
- **Keep flammable materials away from lit bulb.**
- **Check the cable properly for any loose or damaged connections.**
- **When the unit is no longer functioning, do not attempt to fix it by yourself. Only a qualified technician is allowed to disassemble and repair.**
- **If the external flexible cable cord of this luminaire is damaged it shall be exclusively replaced by a qualified electrician in order to avoid hazard.**

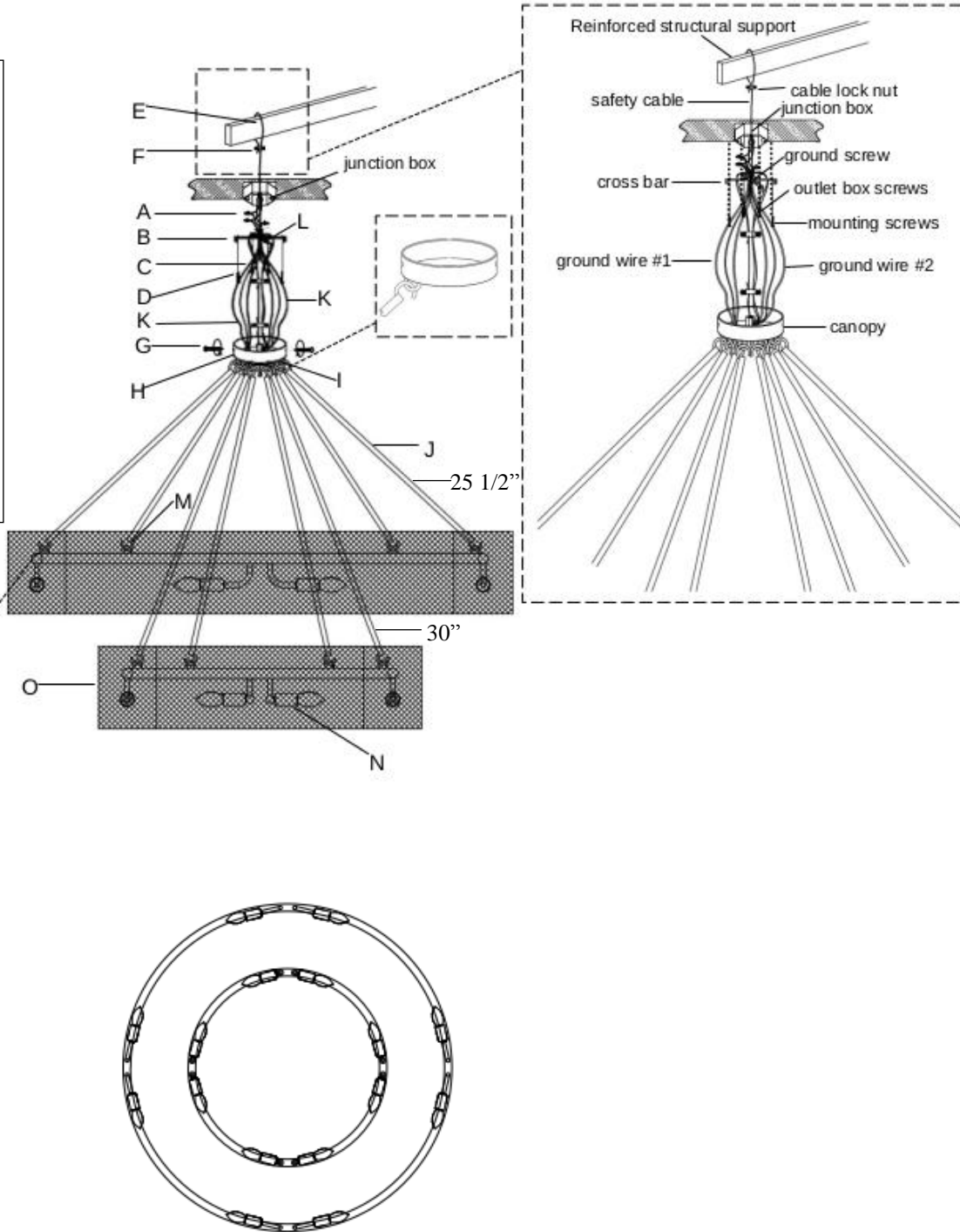
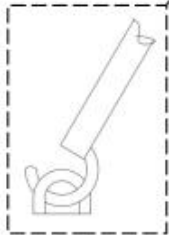
Pre-Assembly:

- Remove all parts and hardware from the box along with any plastic protective packaging. Do not discard contents until after assembly is complete to avoid accidentally discarding small parts or hardware.
- For your safety and convenience, assembly by two people is recommended.

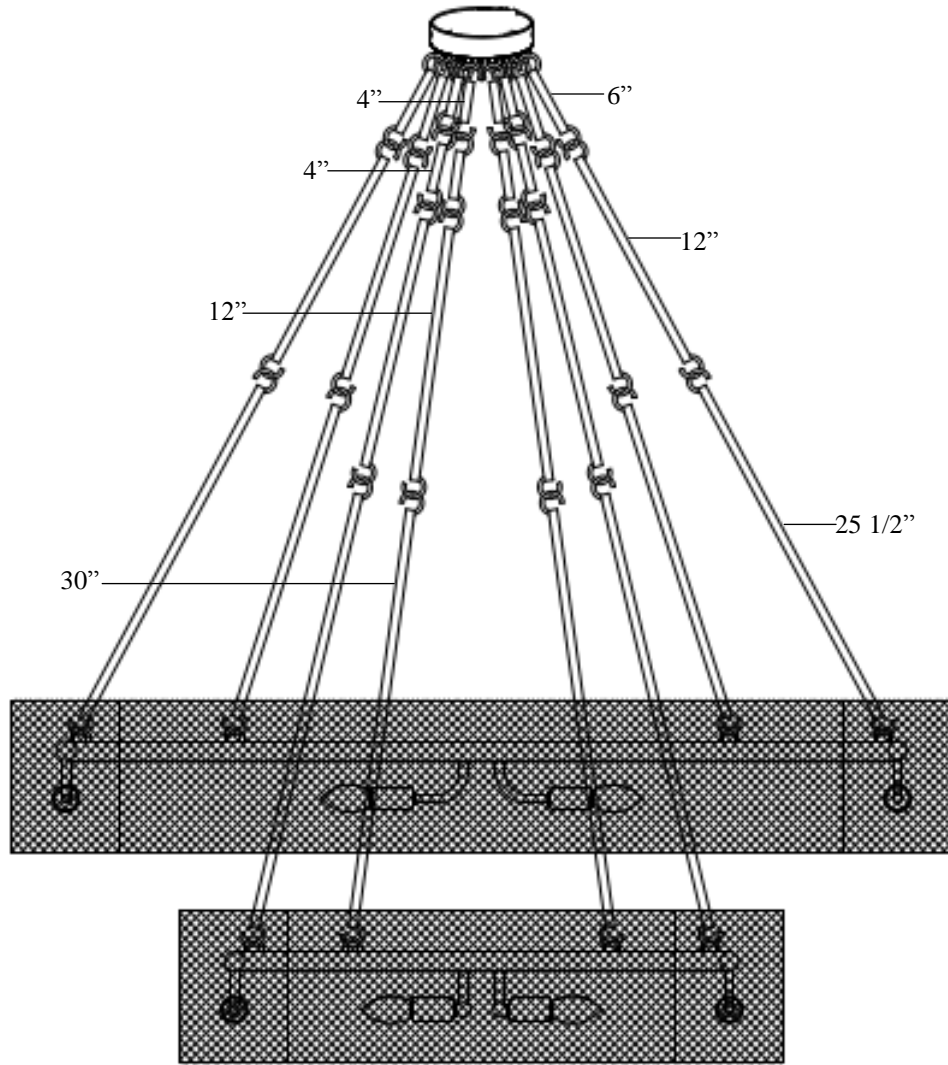
TOOLS REQUIRED (not included): Ladder, Drill, Phillips Head & Flat Blade Screwdrivers, Plier, Wire Cutter/Stripper, Pencil & Electrical Tape.

Parts List:

- A) Wire Connectors (3x)
- B) Cross Bar
- C) Outlet Box Screws (2x)
- D) Mounting Screws (4x)
- E) Safety Cable
- F) Cable Lock Nut (3x)
- G) Canopy Screws (4x)
- H) Canopy
- I) Canopy Loop
- J) Connecting Rods (8x)
- K) Ground Wire
- L) Ground Screw
- M) Pendant Top Loop
- N) E12 Sockets (16x)
- O) Decorative Shade



Extension Configuration



Installation Instructions:

1. **SHUT OFF THE MAIN ELECTRICAL SUPPLY FROM THE MAIN FUSE BOX/CIRCUIT BREAKER.**
2. Gently pull existing wires down from the ceiling junction box and allow them to hang.
3. Note: **The weight of this lighting fixture exceeds 50 pounds. THIS LUMINAIRE MUST BE MOUNTED OR SUPPORTED INDEPENDENTLY OF AN OUTLET BOX.**
4. Using the Cross Bar (B) hole as a template, mark and drill fixing holes in the ceiling. Attach the Cross Bar (B) into a structural ceiling member using Mounting Screws (D). If you are unsure about what type of screws to use please consult your local hardware store to get the appropriate fittings.
5. Secure the Cross Bar (B) to the Junction Box with the Outlet Box Screws (C). Tighten until snug.
6. Guide Safety Cable (E) exiting Canopy (H) through the opening in Cross Bar (B) and into ceiling junction box. From above the ceiling junction box, loop Safety Cable (E) around an appropriate load bearing structure. Use Cable Lock Nut (F) to secure position of cable. Insert screws into both holes on Cable Lock Nut (F) and tighten it using screwdriver.
7. **Establish electrical connections:**
 - a) Connect the NEUTRAL FIXTURE WIRE to the NEUTRAL JUNCTION BOX WIRE (usually white or ribbed insulation). Fasten each together with a wire connector (A) and wrap the connection with electrical tape. Be sure that no wire strands are exposed.
 - b) Connect the HOT FIXTURE WIRE to the HOT JUNCTION BOX WIRE (usually black or smooth insulation). Fasten each together with a wire connector (A) and wrap the connection with electrical tape. Be sure that no wire strands are exposed. **DO NOT REVERSE THE HOT AND NEUTRAL CONNECTIONS OR SAFETY WILL BE COMPROMISED.**
 - c) Firstly, wrap the fixture's bare ground wire (#1) around the Green Ground Screw (L) marked as "GND" on the Cross Bar (B), and tighten screw to secure the wire. Then connect the fixture's bare ground wires (#1 and #2) to the GROUND J-BOX WIRE (usually green insulation or bare wire) with a Wire Connector (A) and wrap the connection with electrical tape. Be sure that no wire strands are exposed.
8. After all connections are made, attach the Canopy (H) to the Cross Bar (B). Align the holes of the side portions of the Cross Bar (B) with the holes located in the side of the Canopy (H). Using a screwdriver, insert the Canopy Screws (G) through each hole of the canopy and into threaded engagement with the cross bar. Do not over-tighten the screws.
9. Insert sixteen (16) **40-watt maximum E12 candelabra-base bulbs** (not included) or sixteen (16) **4.5-watt maximum** LED light bulbs (not included) into the Sockets (N). **DO NOT EXCEED THE RECOMMENDED WATTAGE.**
10. Restore power to ceiling outlet junction box and test fixture.
11. Installation is complete.

Care Instructions:

- Do not use abrasive cleaning solution as it may cause damage to the fixture's finish.
- Wipe clean with a soft, dry cloth or static duster.

