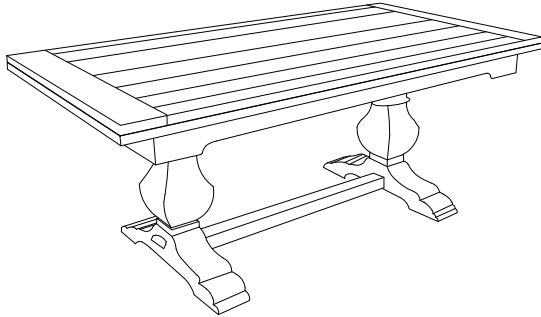


ASSEMBLY INSTRUCTION

Item#: 3005-75005 Refectory Base-Ebony
3005-75006 Refectory top-Drift

*****Please make sure you have all the parts indicated below prior to assembly.
This unit is heavy and can best be assembled with the help of two or more people.**





NO		HARDWARE LIST	Q'TY
D		73*29*5mm ALLEN WRENCH	1
E		50mm BOLT	12
F		LOCK WASHER	12
G		FLAT WASHER	12
H		69*27.2*4mm ALLEN WRENCH	1

Diagram 2

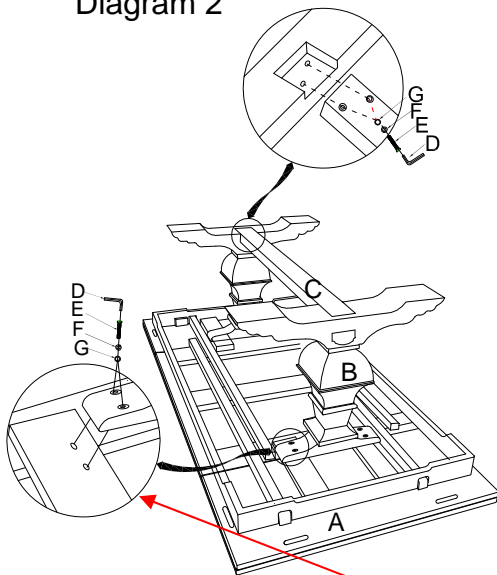


Diagram 1

1. Place the top (A) upside down on a soft surface;
2. Attach the pedestal (B) to the top (A), align the holes on the pedestal and the top ,insert 1pc bolt (E) with 1pc lock washer (F) and 1pc flat washer (G) into each hole;
3. Secure the bolt (E) in clockwise direction with allen wrench (D) (see diagram 1);
4. Attach the other pedestal in the same way as step 2 and step 3;
5. Place rail (C) onto two pedestals (B);
6. Insert 1pc bolt (E) with lock washer (F) and flat washer (G) into holes in rail (C) and corresponding holes in pedestal (B);
7. Secure the bolt (E) with allen wrench (D);
8. Turn the table upright (see diagram 2).

It is very important to add the correct washer. (F & G) If not it will allow the bolt to go too far. This will limit the leaf travel and cause issues with the function of this leaf.

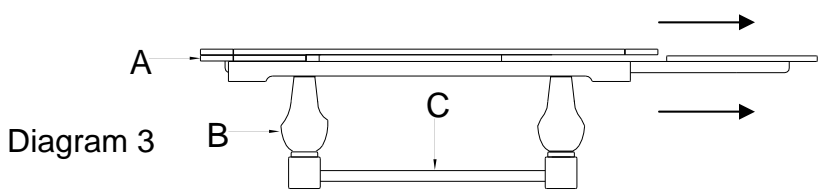


Diagram 3

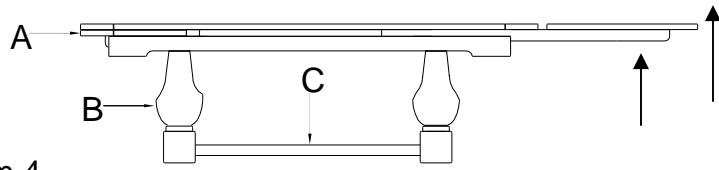


Diagram 4

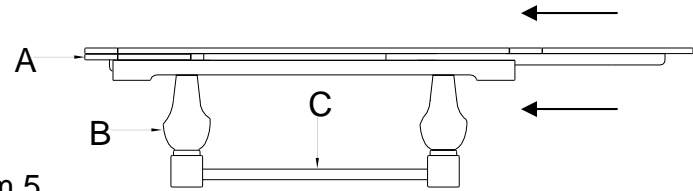
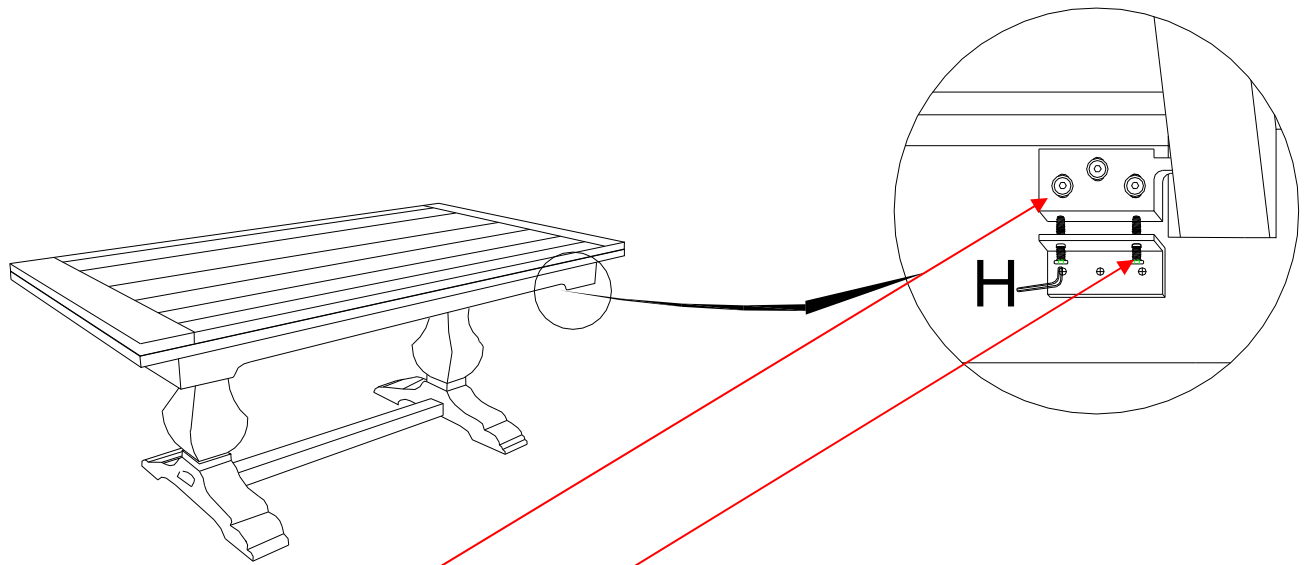


Diagram 5

Instruction for the leaves:

1. Pull out the leaves as the arrow direction as shown in diagram 3.
2. Lift the leaves up and make them 1/2" higher than the center top.(See diagram 4)
3. While holding leaf up push all the way in first and lay down the leaves as shown in diagram 5.



You will adjust the bolts under the top when the leaves are not keep level with the top, the steps for adjusting the leaves lower and higher in order to keep it level with the top as below (See Diagram 6)

1. Loosen bolts on the front of metal block.
2. Adjust bottom screws to raise and lower that side of the leaf.
3. Tighten bolts to hold adjustment block in place.

Cleaning Instruction: Clean finished parts with a damp cloth using a mild dishwashing liquid and water solution. Polish the finish with soft cloth and an industry recognized furniture polish.