
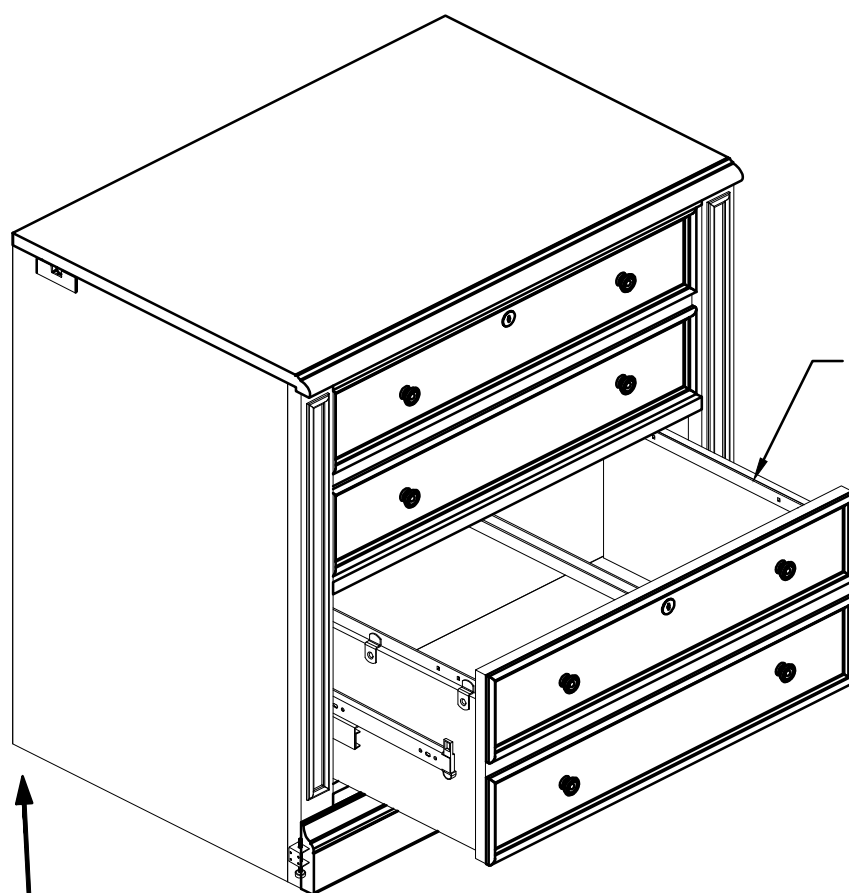


Thank you for purchasing this quality product. Be sure to unpack carefully looking for small parts which may have come loose during shipment.

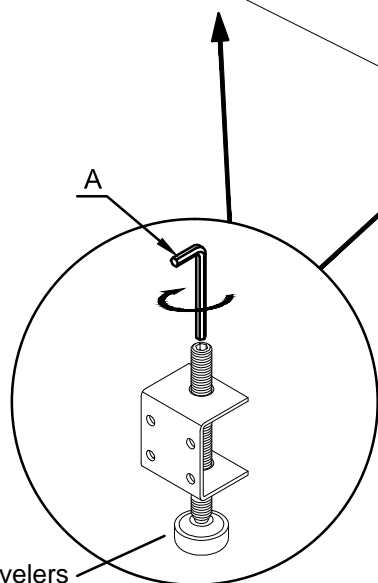
Read all instruction and study the drawing carefully before starting the assembly process.

HARDWARE LIST				
NO	DRAWING	DESCRIPTION	SIZE	Qty
A		Allen Wrench	4 mm	1 pc



Note :  
Drawers can't  
be open  
together on the  
same time

Pendaflex  
system



Note: Anti-tip restraint is provided. Please follow the instructions enclosed with the pack .