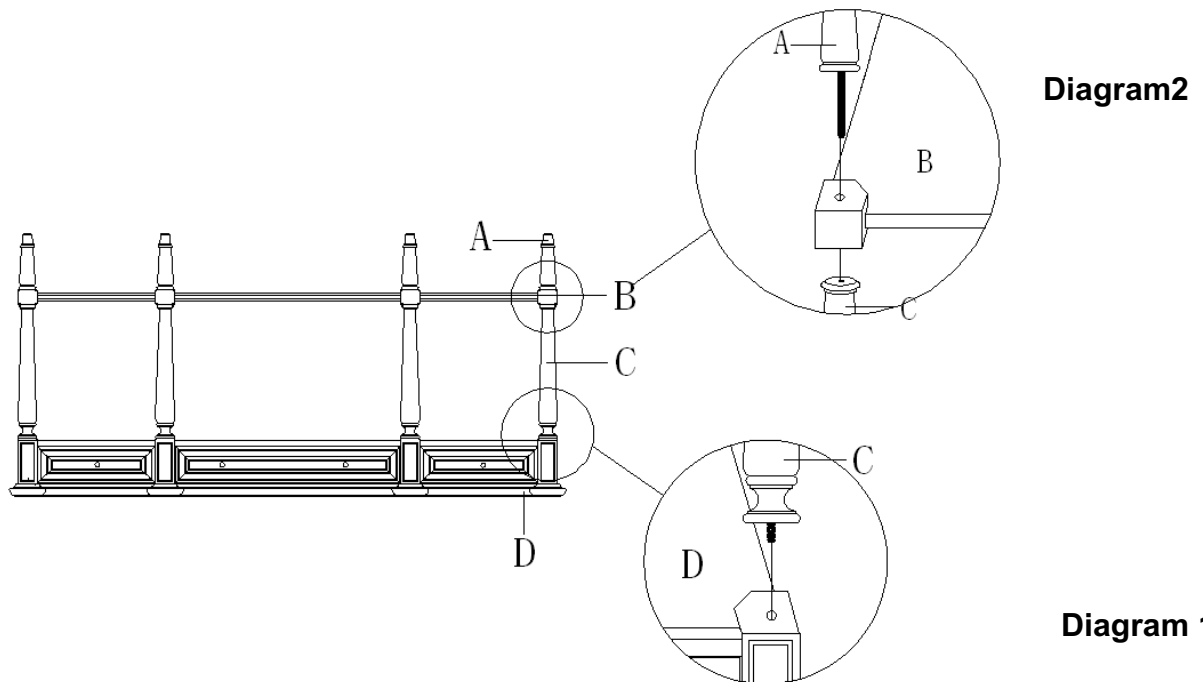
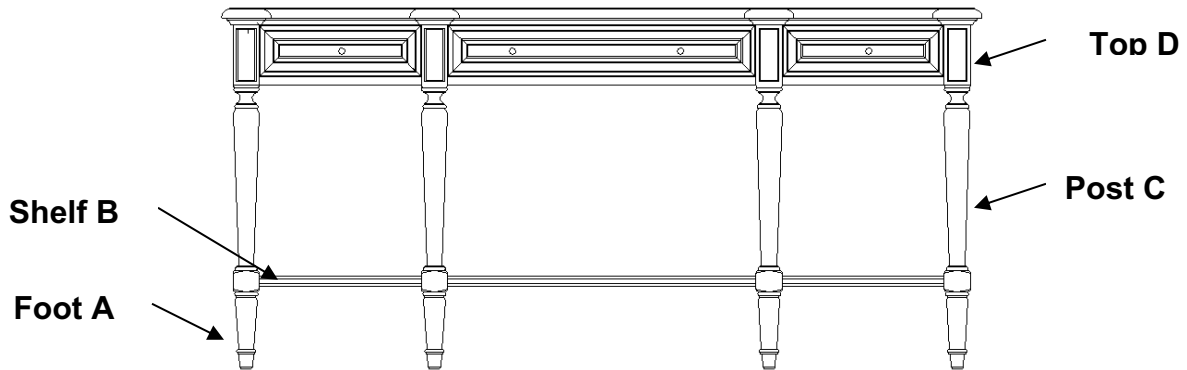


# ASSEMBLY INSTRUCTION

Item#: 5029-85005 Three Drawer Console Table

**\*\*Please make sure you have all parts indicated below prior to assembly.  
This unit is heavy and can best be assembled with the help of two or more persons.**



## Assembly Steps:

1. Place console top upside down on a soft surface to prevent from scratching.
2. Assemble posts (C) to console top by tightening up posts (C) into the bottom of the top (D) in a clockwise direction. (See diagram 1)
3. Put the shelf (B) on posts (C), insert feet (A) through bottom shelf (B) to the posts (C) then turn it in a clockwise direction. (See diagram 2)
4. Turn the console upright.

***Cleaning Instruction: Clean finished parts with a damp cloth using a mild dishwashing liquid and water solution. Polish the finish with soft cloth and an industry recognized furniture polish.***