

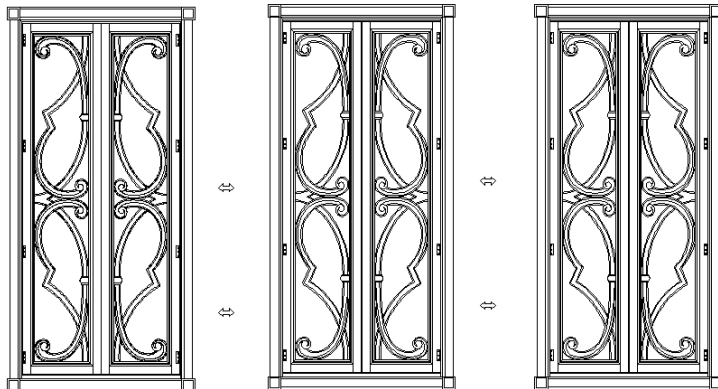
ASSEMBLY INSTRUCTION

(for connecting the wire of the light on this curio)

Item#: 5291-50001 Bunching Curio Cabinet

*** Caution: Please read all instructions carefully before starting the assembly process.

Please note this curio can be used alone with can light on by a touch dimmer. Also, when two or more are bunched together, you can control all can lights by touching one dimmer.



- A — male connector (of the power switch)
- B — female connector (of the power switch)
- C — male connector (of the can light)
- D — female connector (of the can light)

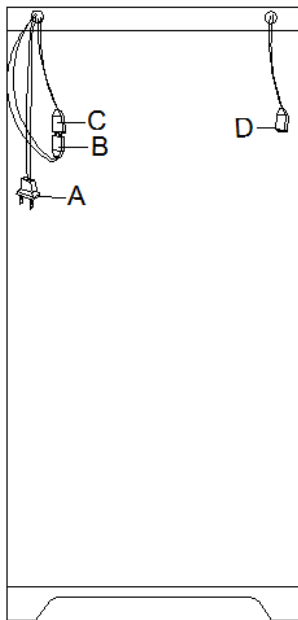
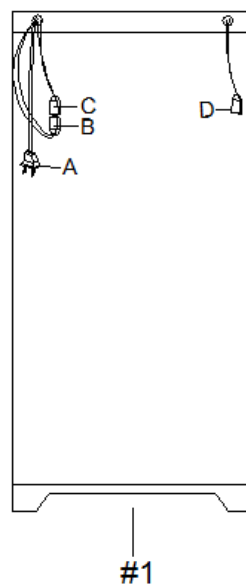
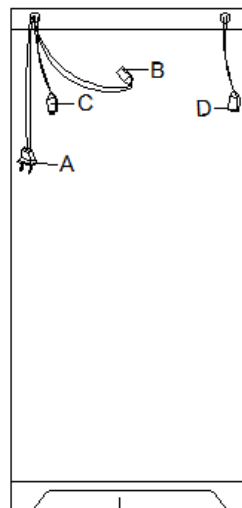


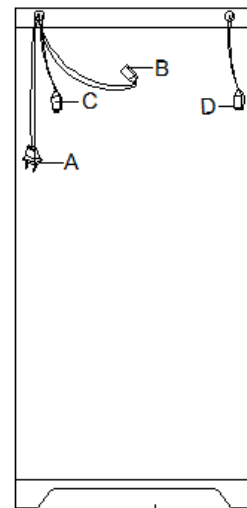
Diagram 1



#1



#2



#3

Diagram 2

Assembly steps:

1. When each piece of curio is used alone, attach male connector of the power switch (A) to a wall plug. (see diagram 1)

2. Touch dimmer is at the inside of right post.
3. If you want to bunch two or more curios together, place them all side by side in a desired location.
4. Leave male connector of the can light (C) and female connector of power Switch (B) for the first curio (#1) as it is. Keep male connector of the can light (C) and female connector of power switch (B) off for the rest curios (#2, #3, and so on). (See diagram 2)

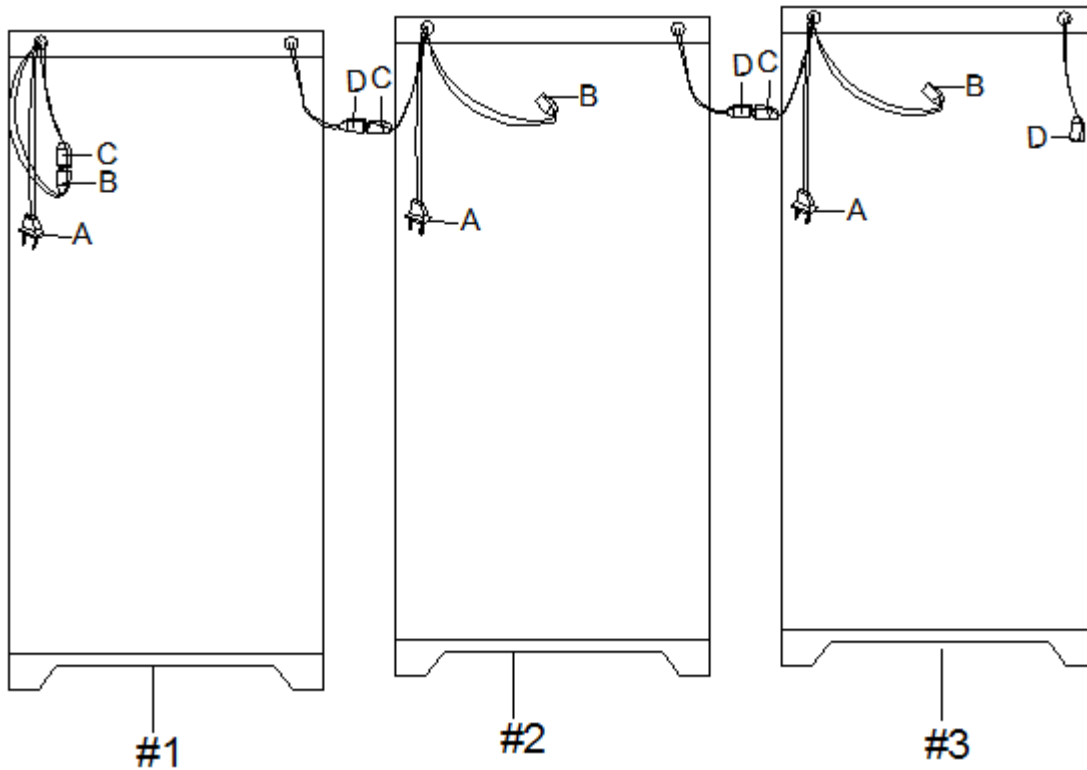


Diagram 3

5. Connect female connector of the can light (D) (#1 curio) with male connector of the can light (C), repeat this step for 2nd curio and the rest ones when more than two are bunched together till each one is connected. (See diagram 3)
6. Plug in male connector of power switch (A) (#1curio).
7. Touch the dimmer of the #1 curio, all can lights connecting together will be on at the same time.

Cleaning Instruction: Clean finished parts with a mild dishwashing liquid and water solution on a damp cloth. Polish the finish with soft cloth and an industry recognized furniture polish.