

ASSEMBLY INSTRUCTION

ITEM: 5351-75902 Hutch
5351-75900 Buffet

Thank you for purchasing this quality product. Be sure to unpack carefully looking for small parts which may have come loose during shipment.
Read all instruction and study the drawing carefully before starting the assembly process.

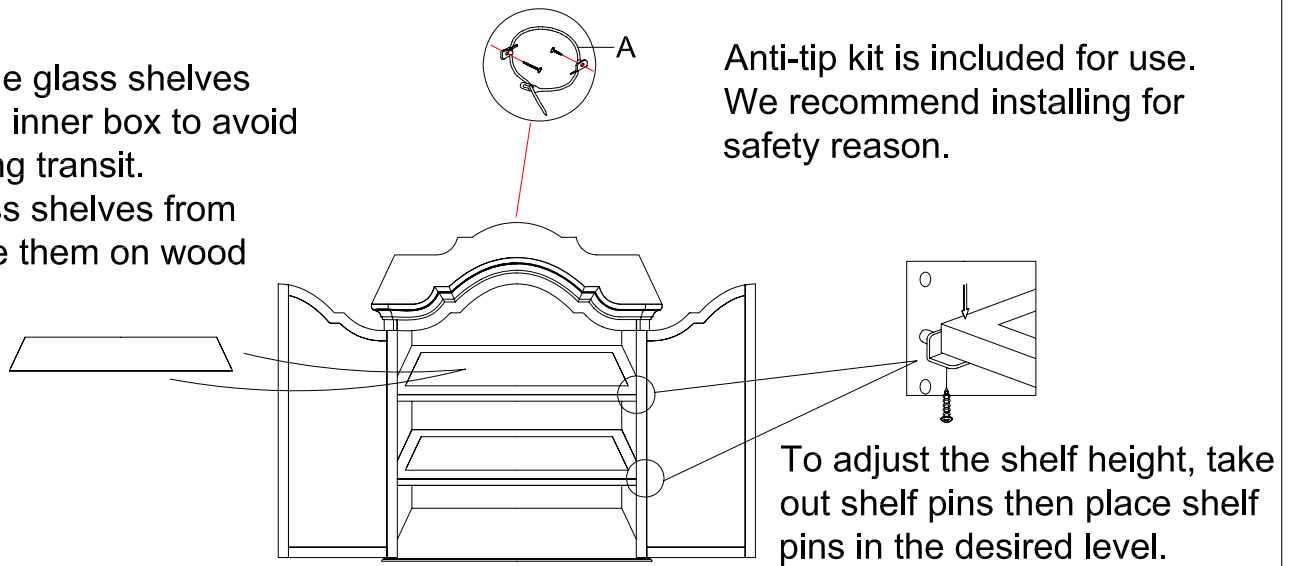
HARDWARE PACK

NO.	DRAWING	DESCRIPTION	SIZE	Q'TY
A		Anti - Tip Kit		1 PC

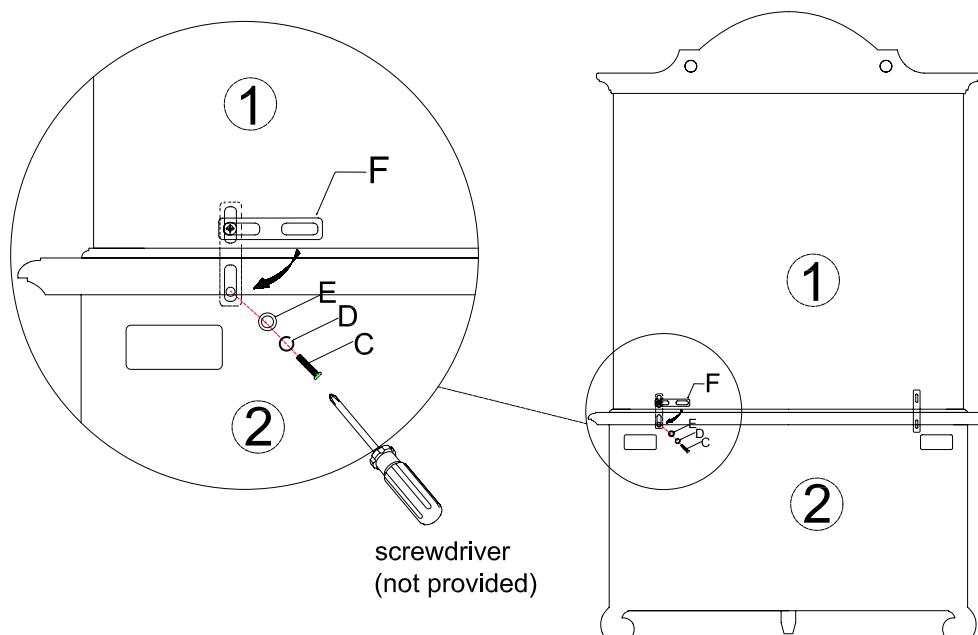
Tipping Restraint

The adjustable glass shelves are packed in inner box to avoid damage during transit. Take out glass shelves from box and place them on wood shelf frames.

Anti-tip kit is included for use. We recommend installing for safety reason.



Assembly steps for connecting Hutch and Buffet



Step 1: Place hutch (1) on top of buffet (2), unscrew bolts (C), lock washers (D) and flat washers (E).

Step 2: Turn mending plate (F) as the arrow direction, then screw the bolts (C), lock washers (D), and flat washers (E).