


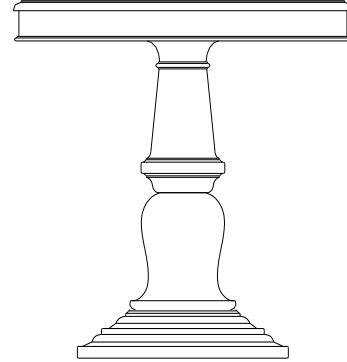


# ASSEMBLY INSTRUCTION

Item#:5701-90115 Bedside Table

\*\* Please make sure you have all parts indicated below prior to assembly.

NO		Parts	Q'TY
A		Flat Washer	4
B		Lock Washer	4
C		Bolt	4
D		Allen Wrench	1



## Assembly Steps:

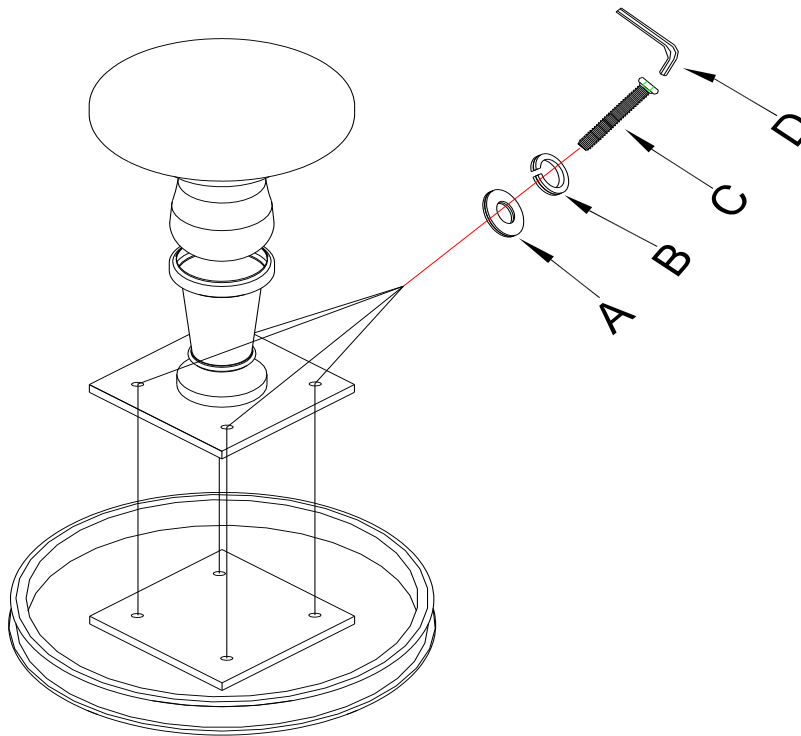


Diagram 1

## Assembly Steps:

1. Place table top upside down on a soft surface to prevent it from scratching top.
2. Attach base to top by using bolts (C), lock washers (B), flat washers (A), secure all bolts with allen wrench (D) in a clockwise direction (See Diagram 1).
3. Turn the table upright.

**Cleaning Instruction:** Clean finished parts with a damp cloth using a mild dishwashing liquid and water solution. Polish the finish with soft cloth and an industry recognized furniture polish.