


ASSEMBLY INSTRUCTION

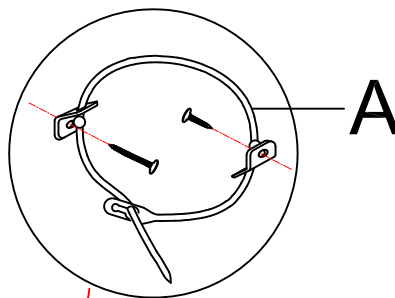
ITEM: 5750-50002-LTWD Duvel Accent Chest

Thank you for purchasing this quality product. Be sure to unpack carefully looking for small parts which may have come loose during shipment.
Read all instruction and study the drawing carefully before starting the assembly process.

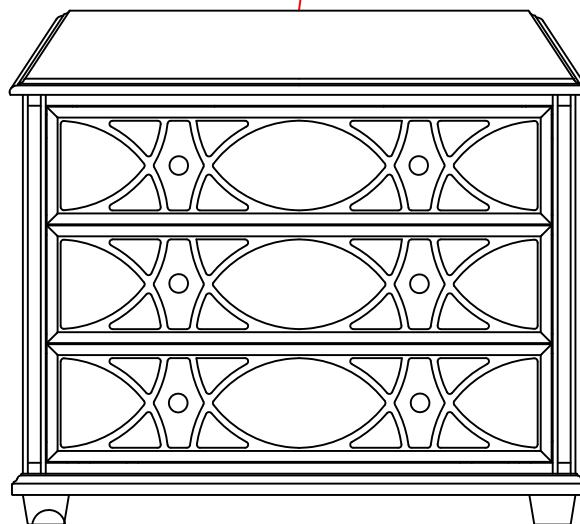
HARDWARE PACK

| NO. | DRAWING | DESCRIPTION | SIZE | Q'TY |
|-----|---|----------------|------|------|
| A |  | Anti - Tip Kit | | 1PC |

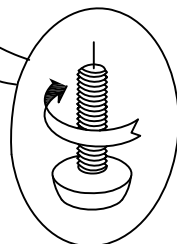
Anti-tip kit is included for use. We recommend installing for safety reason



Tipping Restraint



STEP 1



Adjust Leveler if needed to level case on uneven floor.

Note: Anti-tip kit restraint is provided. Please follow the instructions enclosed with the pack.