










# HOOKER®

— FURNITURE —

## ASSEMBLY INSTRUCTION

Item#: 5820-85001-85 - Console Table w/ Metal

**\*\* Please make sure you have all parts indicated below prior to assembly.  
This table is heavy and can best be assembled with the help of two or more people.**

NO	HARDWARE LIST		Q'TY
A		$\frac{5}{16}$ ALLEN BOLT	6
B		$\frac{5}{16}$ LOCK WASHER	6
C		$\frac{5}{16}$ FLAT WASHER	6
D		73*29*5MM ALLEN WRENCH	1
E		$\frac{1}{4}$ ALLEN BOLT	4
F		$\frac{1}{4}$ LOCK WASHER	4
G		$\frac{1}{4}$ FLAT WASHER	4
H		69*27*4MM ALLEN WRENCH	1
I		SCREW	12

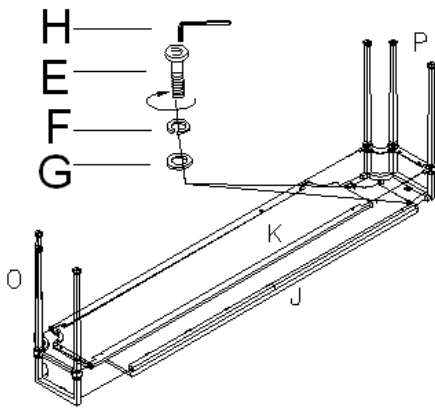
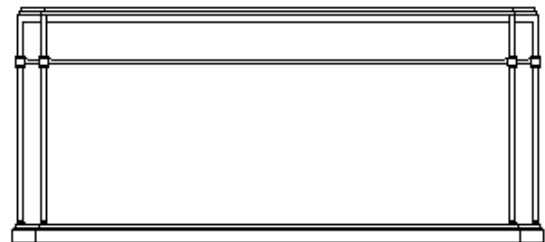


Diagram 1

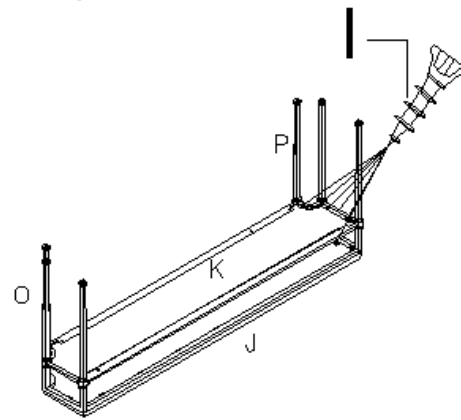


Diagram 2

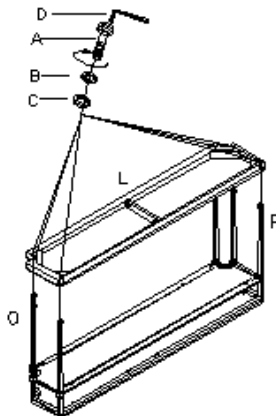


Diagram 3

## **Assembly steps:**

1. Place two metal leg frames (O&P) upside down on a soft surface to prevent it from being scratched.
2. Attach metal leg frames (O&P) to the ends of top panel (J) and center shelf (K) to make sure all pre-drilled holes are in alignment, first insert bolts (E), lock washers (F) and flat washers (G), tighten bolts by turning with allen wrench (H) to assemble the top panel (J) (See Diagram 1).
3. Then insert bolts (E), lock washers (F) and flat washers (G), tighten bolts by turning with allen wrench (H) to assemble the center shelf (K) (See Diagram 1).
4. Screw top panel (J) and center shelf (K) to metal leg frames (O&P) with screws ( I ) and tighten them by using screw driver (Not provided) (See Diagram 2).
5. Place bottom frame (L) onto metal leg frames (O&P) to make sure all pre-drilled holes are in alignment, well insert bolts (A), lock washers (B) and flat washers (C), tighten bolts by turning with allen wrench (D) in clockwise direction (See Diagram 3).
6. Turn table upright..

***Cleaning Instruction: Clean finished parts with a damp cloth using a mild dishwashing liquid and water solution. Polish the finish with soft cloth and an industry recognized furniture polish.***