



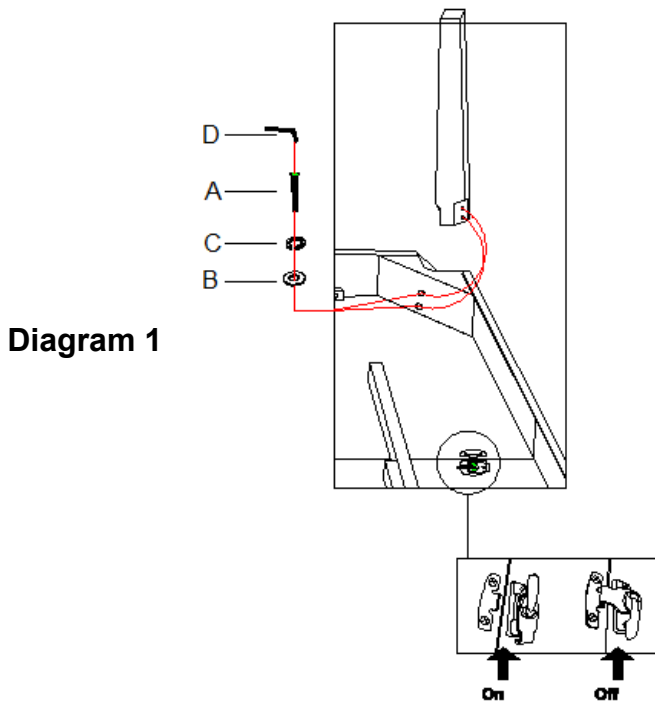
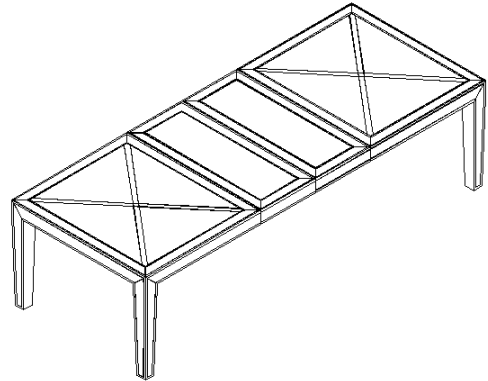


## ASSEMBLY INSTRUCTION

ITEM# 5845-75200-647 Sante Rectangular Dining w/2-18in leaves

**Caution: Please make sure you have all parts indicated below prior to assembly.**  
**This table is heavy and can best be assembled with the help of two or more people.**

NO.	HARDWARE LIST		Q'TY
A		Flat Washer	8
B		Lock Washer	8
C		Bolt	8
D		Allen Wrench	1

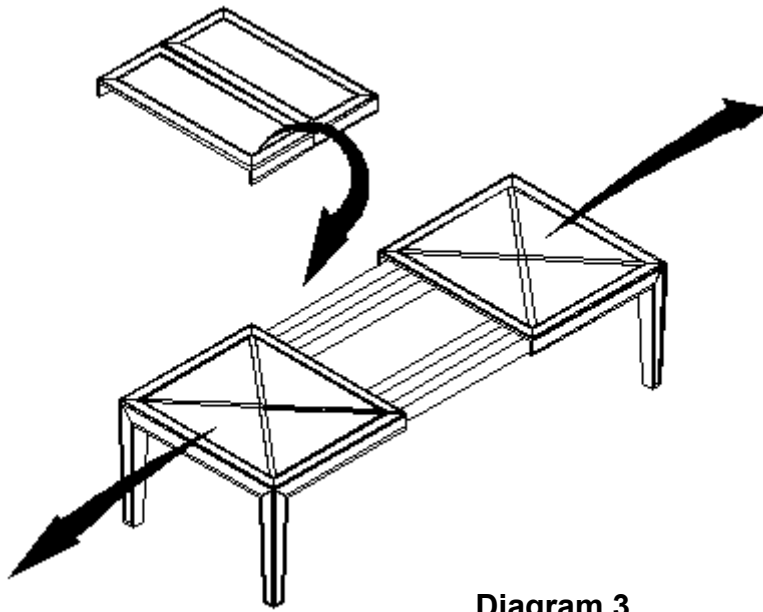


### Assembly Steps:

1. Place table top upside down on a soft surface to prevent it from being scratched.
2. Attach legs as labeled to top by using flat washers (A), lock washers (B) and bolts (C), tighten all with Allen wrench (D) in clockwise direction. (See Diagram 1)

## **Instruction for table leaves:**

1. There are latches at the bottom of table top, turn off the latches as shown in Diagram 2.
2. Pull out table top as the arrow direction shown in Diagram 3.
3. Place table leaves between and push table tops together.
4. Turn on latches. (See Diagram 2)
5. Take opposite actions to remove table leaves.



**Diagram 3**

***Cleaning Instruction: Clean finished parts with a mild dishwashing liquid and water solution on a damp cloth. Polish the finish with soft cloth and an industry recognized furniture polish.***