



ASSEMBLY INSTRUCTION

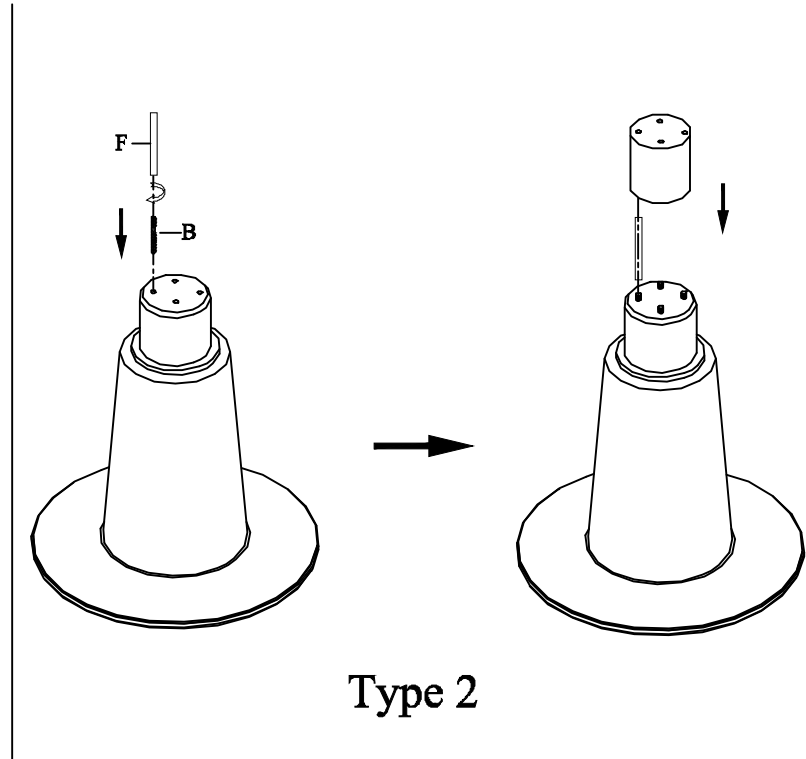
HOOKER
— FURNITURE —

Item: 5990-75203-DKW
Round Pedestal Table

Thank you for purchasing this quality product. Be sure to unpack carefully looking for small parts which may have come loose during shipment.
Read all instruction and study the drawing carefully before starting the assembly process:

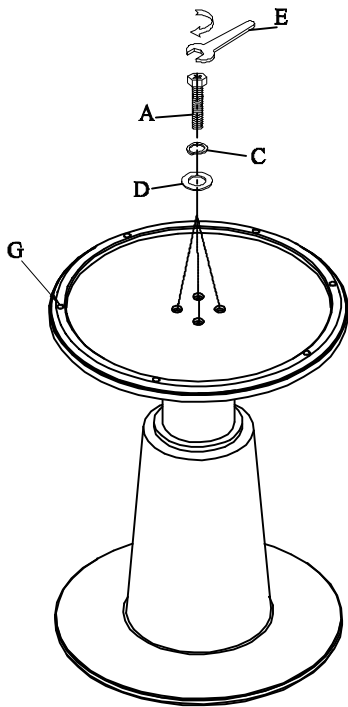
HARDWARE PACK

NO	DRAWING	DESCRIPTION	SIZE	Q'TY
A		HEXAGONAL BOLT	Φ 5/16" × 2"	4pcs
B		THREADED ROD	Φ 5/16" × 2-1/4"	4pcs
C		LOCK WASHER	Φ 5/16" × 12 × 3	4pcs
D		FLAT WASHER	Φ 5/16" × 19 × 2	4pcs
E		HEX WRENCH	12mm	1pc
F		METAL TUBE	Φ 14" × 143L	4pcs
G		PLASTIC		6pcs

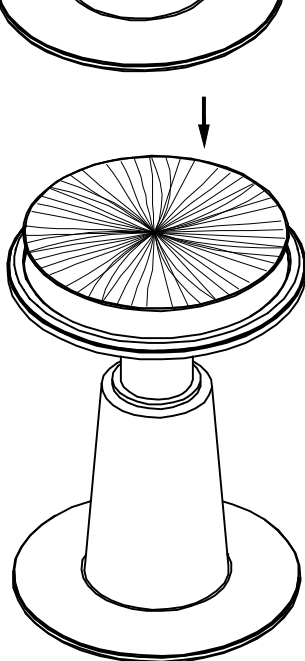


Type 1

Type 2

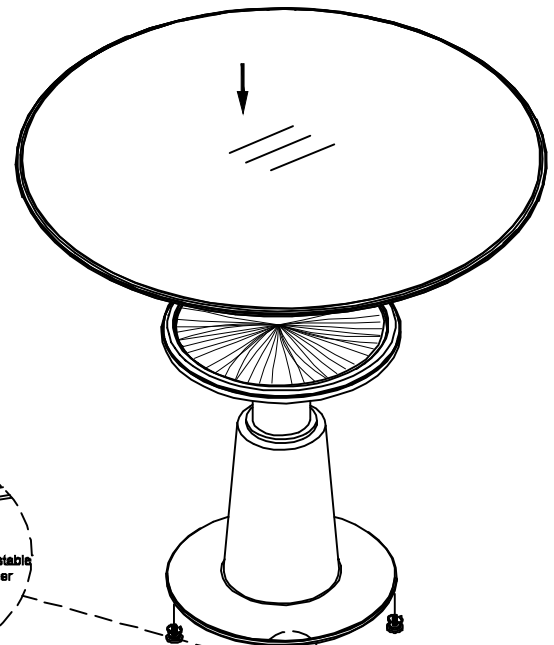
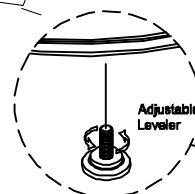
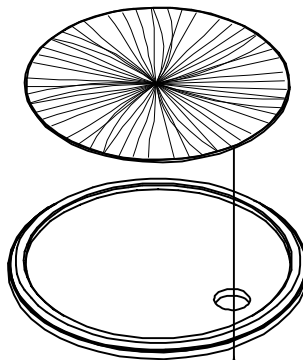


Step 1



Step 2

Use finger to hold up against the back side



Step 3