



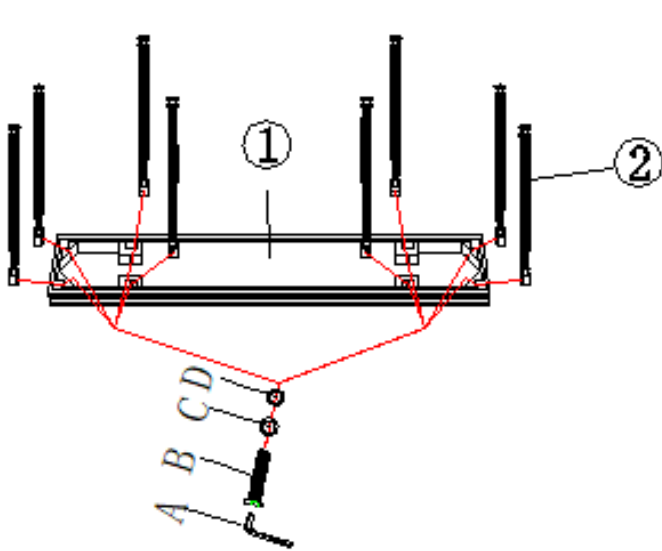


ITEM: 6005-85003-85 Console Table

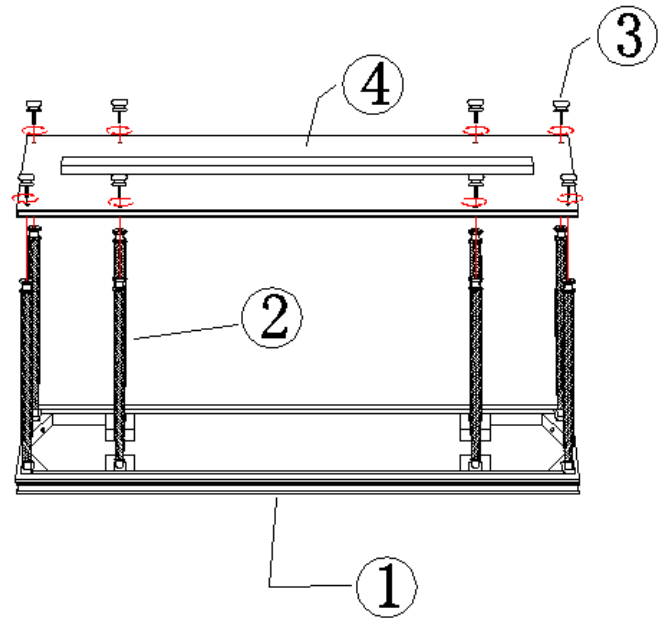
Thank you for purchasing this quality product. Be sure to unpack carefully looking for small parts which may have come loose during shipment. Read all instruction and study the drawing carefully before starting the assembly process.

HARDWARE PACK

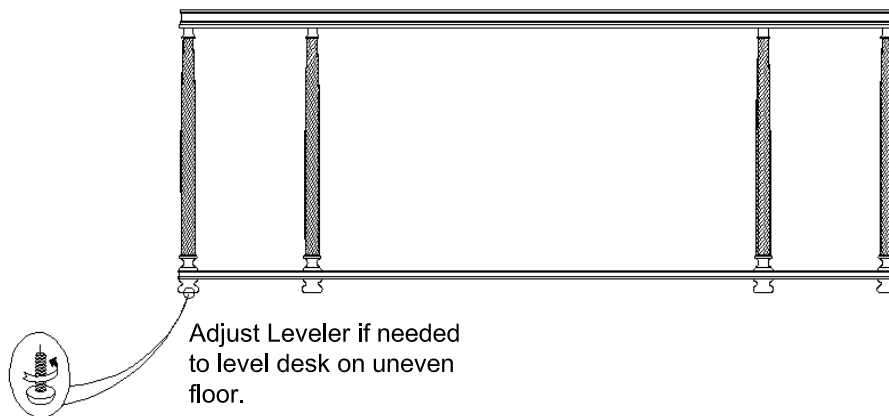
NO	DRAWING	DESCRIPTION	SIZE	Q'ty	PARTS LIST			
					NO.	DRAWING	DESCRIPTION	QTY
A		ALLEN WRENCH	73*29*5mm	1pc	1		TOP	1PC
B		BOLT	$\frac{5}{16}$ "	8pcs	2		POST	8PCS
C		LOCK WASHER	$\frac{5}{16}$ "	8pcs	3		FOOT	8PCS
D		FLAT WASHER	$\frac{5}{16}$ "	8pcs	4		BOTTOM PANEL	1PC



Step 1



Step 2



Step 3