






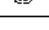


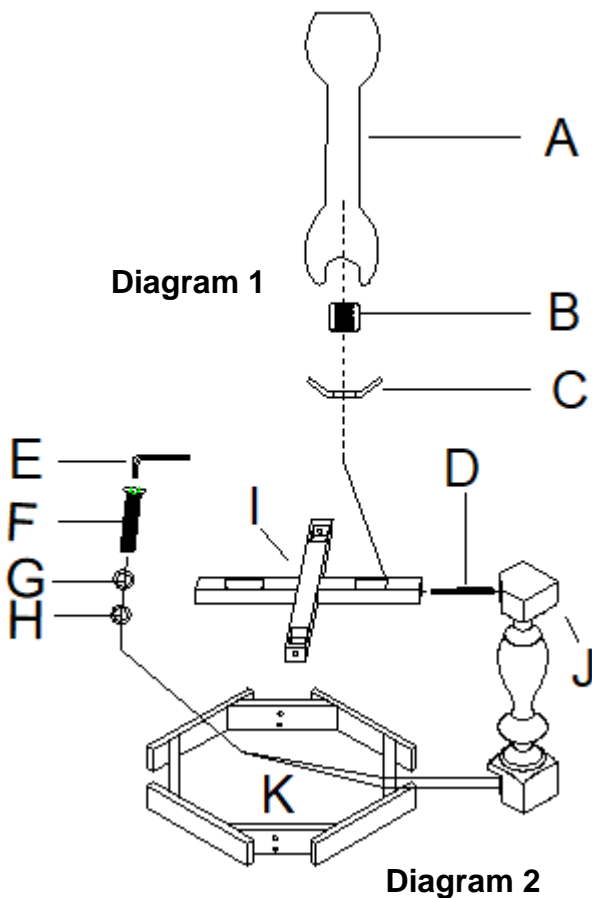
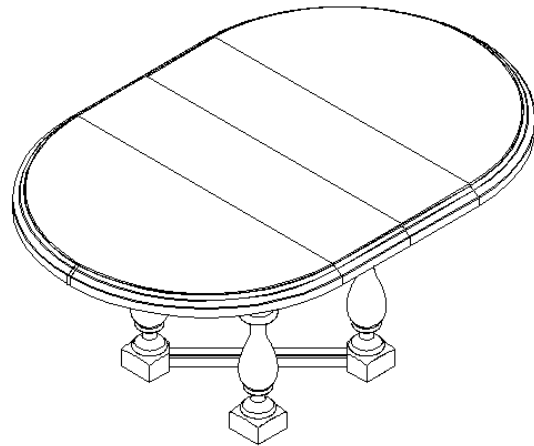
Martinsville, VA 24112

## ASSEMBLY INSTRUCTION

ITEM# 6960-75203B-89 Ellinger Round Dining Table Base  
6960-75203T-81 48in Round Table Top w/ 2-12in Leaves

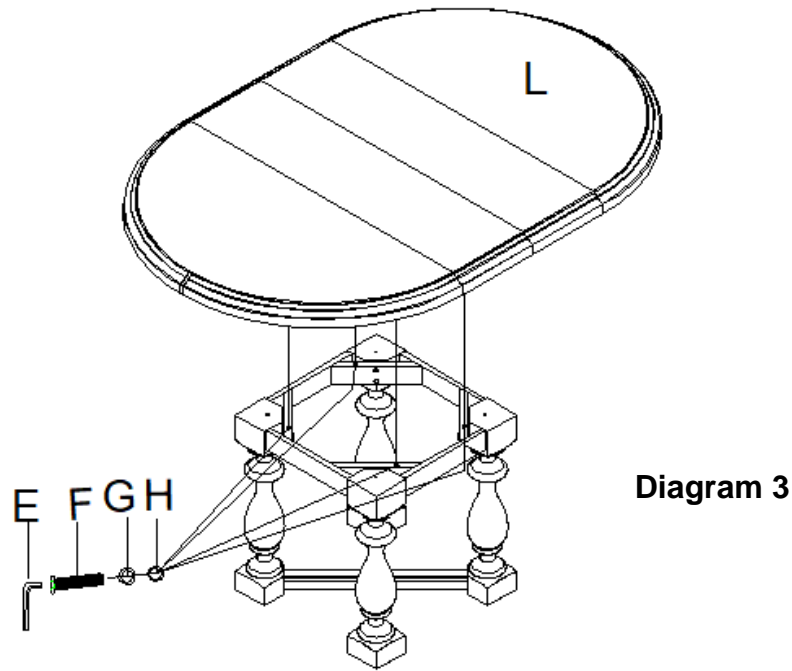
**Caution: Please make sure you have all parts indicated below prior to assembly.**  
**This table is heavy and can best be assembled with the help of two or more people.**

NO.	HARDWARE LIST		Q'TY
A		Spanner Wrench	1
B		Nut	4
C		Curved Washer	4
D		Threaded Rod	4
E		Allen Wrench	1
F		Bolt	12
G		Lock Washer	12
H		Flat Washer	12



### Assembly Steps:

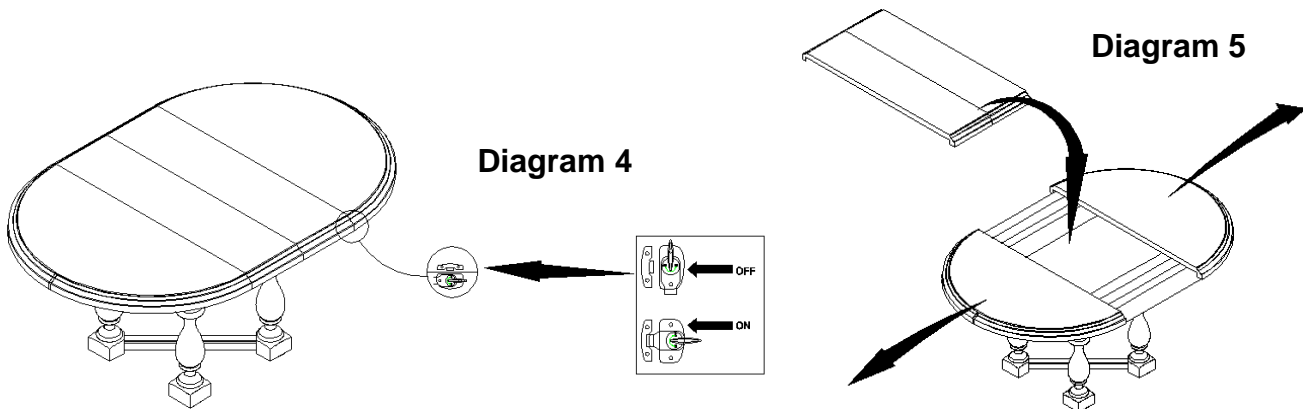
1. Insert threaded rods (D) into bottom of posts (J).
2. Attach stretcher (I) to threaded rods by using curved washers (C), nuts (B), tighten all with spanner wrench (A). (See Diagram 1)
3. Assemble posts with stretcher to apron frame (K) by using flat washers (H), lock washers (G) and bolts (F), secure all with allen wrench (E). (See Diagram 2)



4. Sit table top (L) on base frame. Align holes and use flat washers (H), lock washers (G) and bolts (F), tighten with allen wrench (E). (See Diagram 3)

**Instruction for table leaves:**

1. There are latches at the bottom of table top, turn off the latches as shown in Diagram 4.
2. Pull out table top as the arrow direction shown in Diagram 5.
3. Place table leaves between and push table tops together.
4. Turn on latches. (See Diagram 4)
5. Take opposite actions to remove table leaves.



**Cleaning Instruction:** Clean finished parts with a mild dishwashing liquid and water solution on a damp cloth. Polish the finish with soft cloth and an industry recognized furniture polish.