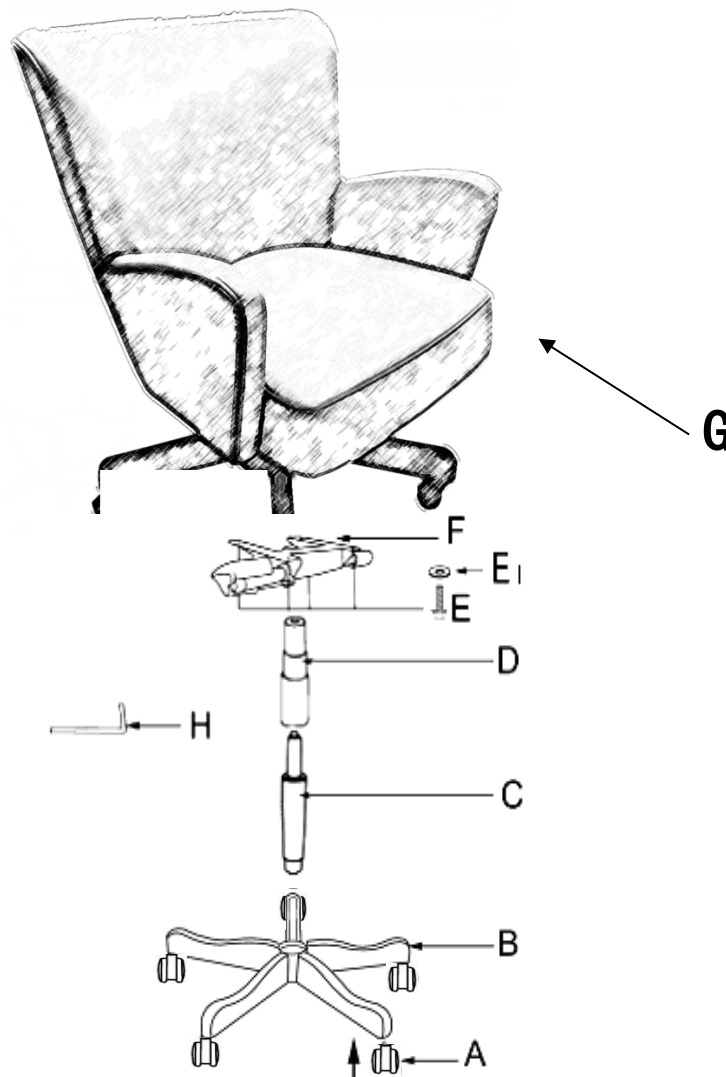


Carefully unpack all parts and identify them with parts list before attempting to assemble the chair.

IMPORTANT: DO NOT TIGHTEN BOLTS AND SCREWS FULLY UNTIL YOU HAVE COMPLETED THE FINAL ASSEMBLY.



1. Carefully remove the 5 STAR BASE(B) from the carton. The base is located behind the fiberboard that is behind the chair UNIT SEATING(G).
2. Put 5 CASTERS (A) into the holes of 5 STAR BASE (B).
3. Insert GAS LIFT (C) to the center hole top of 5 STAR BASE (B), and put the BELLOWS(D) onto the GAS LIFT(C).
4. Attach SEAT PLATE (F) to the Unit Seating(G) by using 4 SCREWS (E) with 4 FLAT WASHERS (E1).
5. Insert the pre-assembled seat unit onto the gas lift to finish the final assembly.
6. Be sure that all the screws are fully tightened before using.

Parts List

A.	CASTERS	5
B.	5 STAR BASE	1
C.	GAS LIFT	1
D.	BELLOWS	1
E.	SCREWS (5/16"x1-1/4")	4
E1.	FLAT WASHERS	4
F.	SEAT PLATE	1
G.	UNIT SEATING	1
H.	ALLEN KEY	1

***CHAIR IMAGE MAY NOT MATCH ENCLOSED STYLE. IMAGE IS FOR REFERENCE ONLY.**

NOTE: THE 5 STAR BASE IS PACKED IN THE CARTON BEHIND THE CHAIR....DO NOT DISCARD BEFORE REMOVING