

Luxury Motion Power Headrest & Footrest

With the touch of a button, you can power up to your perfect TV View, or adjust your headrest for a comfy catnap. If custom comfort is important to you, Bradington-Young's Luxury Motion Power Headrest is a dream come true. The Power Headrest enhances your health and well-being by offering greater head and neck support.

- Available in Leather, Fabric, Leather & Fabric Combo, or C.O.M. (Customer's Own Material).
- Features Matching Reclining Chairs.
- Consoles Feature Removable Cup Holders for ease of Cleanability.
- Optional Lumbar Support



BY

BRADINGTON-YOUNG

SELECT YOUR STYLE



960 Imagine Series
-Transitional two-piece back style with an extended arm panel. *(Standard with Nail head trim, no nail version also available)*



962 Discovery Series
-Traditional pub back style with a roll arm. *(Standard with Nail head trim, no nail version also available)*



964 Cadence Series - Tailored, transitional style with a scalloped arm. *(Nail head trim UNAVAILABLE)*



966 Santori Series - Transitional style with a key arm. *(Standard with Nail head trim, no nail version also available)*



968 Nicoletta Series - Transitional Track Arm. *(Standard with Nail head trim, no nail version also available)*

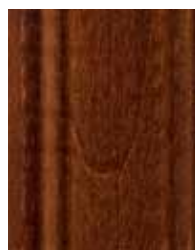


969 Raven Series - Casual pub back style with teardrop rolled arm *(Standard with Nail head trim, no nail version also available)*

SELECT YOUR FINISH



Casablanca



Espresso



Mahogany



Plantation



Stone



Satin Black



New Classiques



Cobblestone

SELECT YOUR NAIL HEAD



Antique



Pewter



Natural



Gunmetal



Nickel



Old Gold

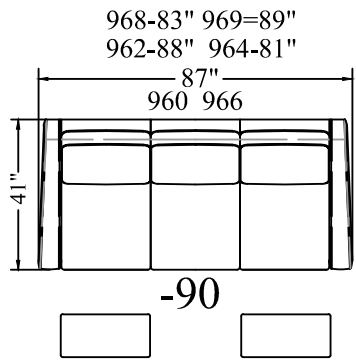


French Natural

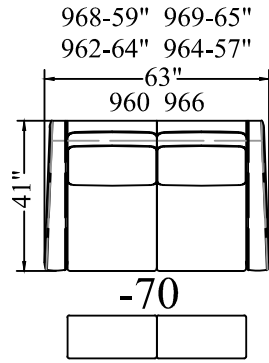
CRAFTED IN THE **USA**

bradington-young.com

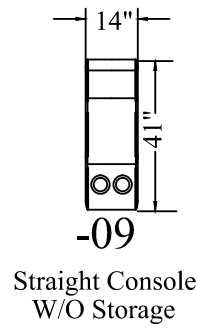
Seating Configuration Options



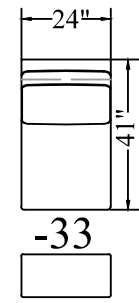
Left & Right Full Reclining Sofa



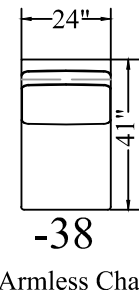
Left & Right Full Reclining Loveseat



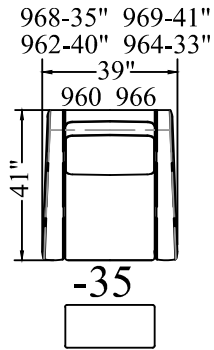
Straight Console W/O Storage



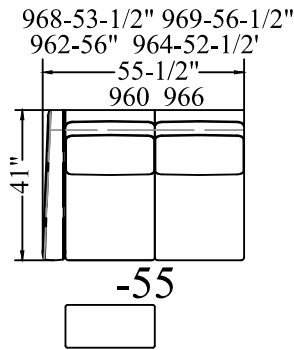
Armless Reclining Chair



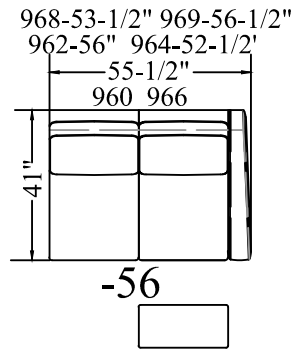
Armless Chair



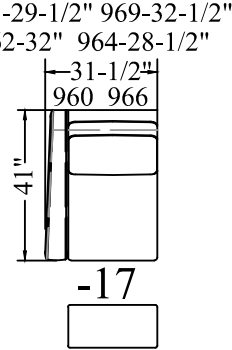
Two Arm Full Reclining Chair



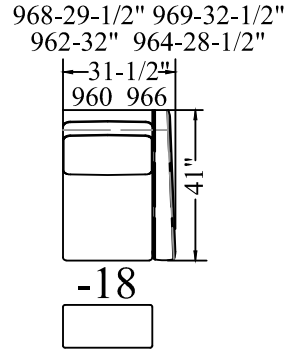
LAF One Arm Full Reclining Loveseat



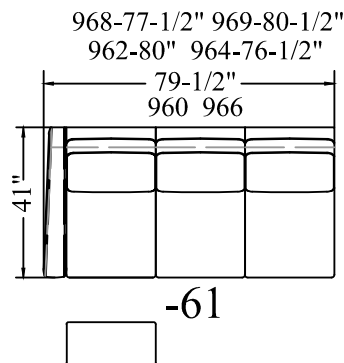
RAF One Arm Full Reclining Loveseat



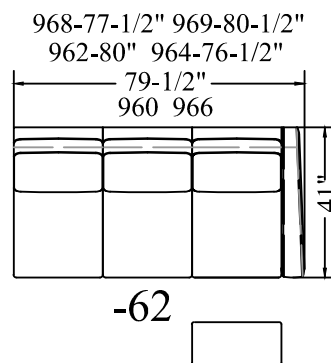
LAF Outside Arm Fully Reclining Chair



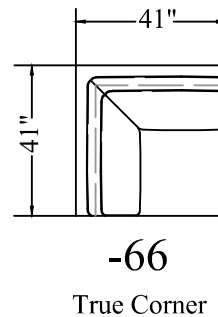
RAF Outside Arm Fully Reclining Chair



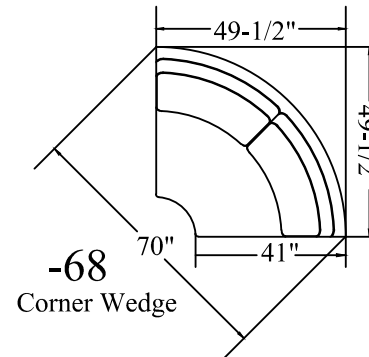
LAF One Arm Full Reclining Sofa



RAF One Arm Full Reclining Sofa



True Corner



Corner Wedge

 = reclining position

Widths listed are for the 960 and 962 groups.
The 964, 966, 968 and 969 groups are 42.5

SELECT YOUR POWER OPTION



STANDARD POWER BUTTON OPTION: Using the touch-buttons located in the inside arm of your luxury motion furniture, you can easily adjust the footrest and headrest. The front two buttons work the footrest, with the top button moving the footrest out, while the bottom button moves it back. The back two buttons work the headrest, with the top button moving the headrest out, while the bottom button moves it back. The middle button is the "home" button. This button brings both the footrest and headrest back to the starting position. The USB port is located under the home button.



LUMBAR POWER BUTTON OPTION: On the lumbar power button option, you can easily adjust the footrest, headrest and lumbar support. The left button controls the footrest. Press top to recline footrest and bottom to bring it back. The middle button controls the lumbar support. Press top to inflate lumbar and bottom to deflate. Inflation may take up to 30 seconds. The right button controls the power headrest. Press top to push out the headrest and bottom to bring it back. The memory button located between left and middle button can set the headrest and footrest in your predetermined position. To set a position, hold down the memory button for a few seconds in the desired position. Memory is now set. The USB port is located in the center at the bottom. An on/off button for the USB port is to prevent the battery from draining when not in use. Simply turn it back on for charging devices