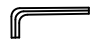











ASSEMBLY INSTRUCTION

ITEM: 6950-90467-80 6/0-6/6 Pole Rattan Uph Poster Headboard
 6950-90467-99 6/0-6/6 Pole Rattan Uph Poster Headboard

Thank you for purchasing this quality product. Be sure to unpack carefully looking for small parts which may have come loose during shipment.

Read all instruction and study the drawing carefully before starting the assembly process.

HARDWARE PACK				
NO.	DRAWING	DESCRIPTION	SIZE	Q'TY
A		Allen Wrench	73*29*5mm	1 PC
B		Bolt	5/16*45mm	4 PCS
C		Lock Washer	Ø5/16"	8 PCS
D		Flat Washer	Ø5/16"	8 PCS
E		Hook	4*53mm	2 PCS
F		Plastic Anchor	∅ 9*30mm	2 PCS
G		Bolt	5/16*100mm	4 PCS

PARTS LIST			
NO.	DRAWING	DESCRIPTION	Q'TY
1		Headboard Post	2 PCS
2		Headboard	1 PC
3		Bottom Stretcher	1 PC

When using headboard only, hang the metal ring (H) onto the hook (E).

