
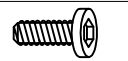


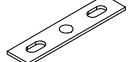






Thank you for purchasing this quality product. Be sure to unpack carefully looking for small parts which may have come loose during shipment.

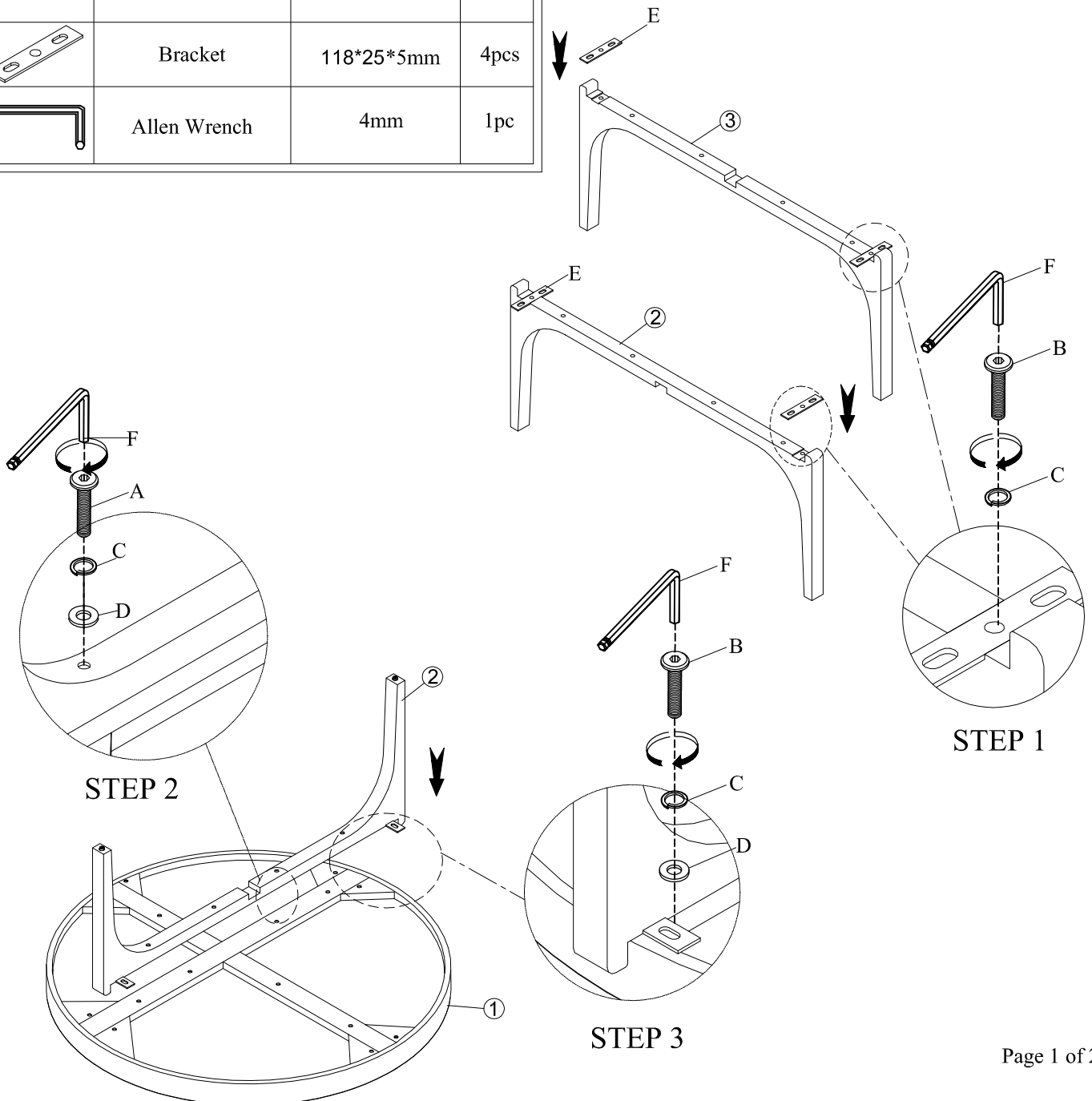
Read all instruction and study the drawing carefully before starting the assembly process.

HARDWARE PACK

NO.	DRAWING	DESCRIPTION	SIZE	Q'TY
A		Bolt	Ø1/4" * 1-3/4"	8pcs
B		Bolt	Ø1/4" * 13/16"	12pcs
C		Lock Washer	Ø1/4"*10mm	20pcs
D		Flat Washer	Ø1/4"*16mm	16pcs
E		Bracket	118*25*5mm	4pcs
F		Allen Wrench	4mm	1pc

PART LIST

NO.	DRAWING	DESCRIPTION	Q'TY
①		Table top	1pc
②		Upper Leg frame	1pc
③		Lower Leg Frame	1pc

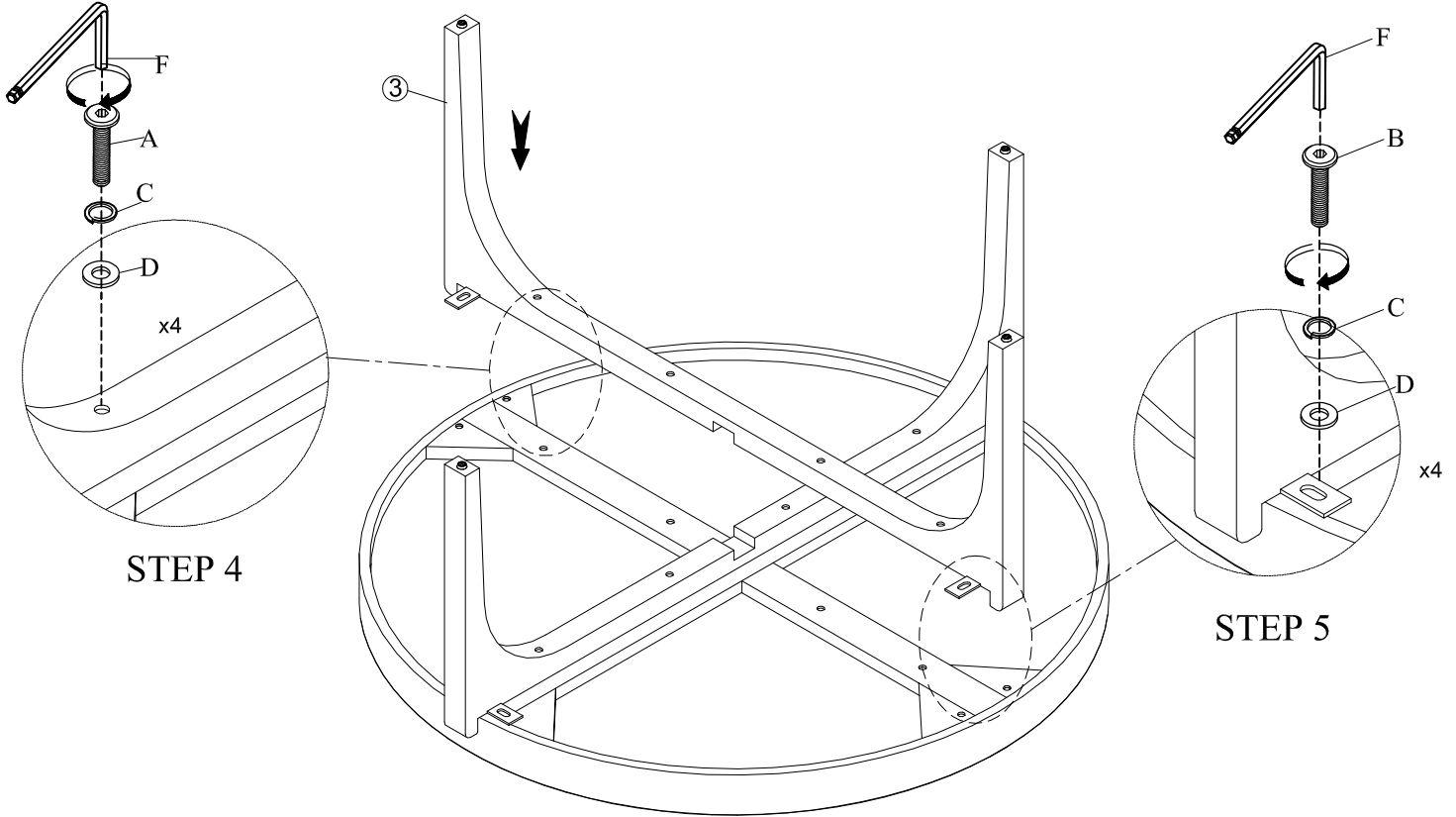


ASSEMBLY INSTRUCTION

ITEM: 7228-80105-89 Round Cocktail Table

Thank you for purchasing this quality product. Be sure to unpack carefully looking for small parts which may have come loose during shipment.

Read all instruction and study the drawing carefully before starting the assembly process.



Adjust Leveler if need to level on uneven floor x4

