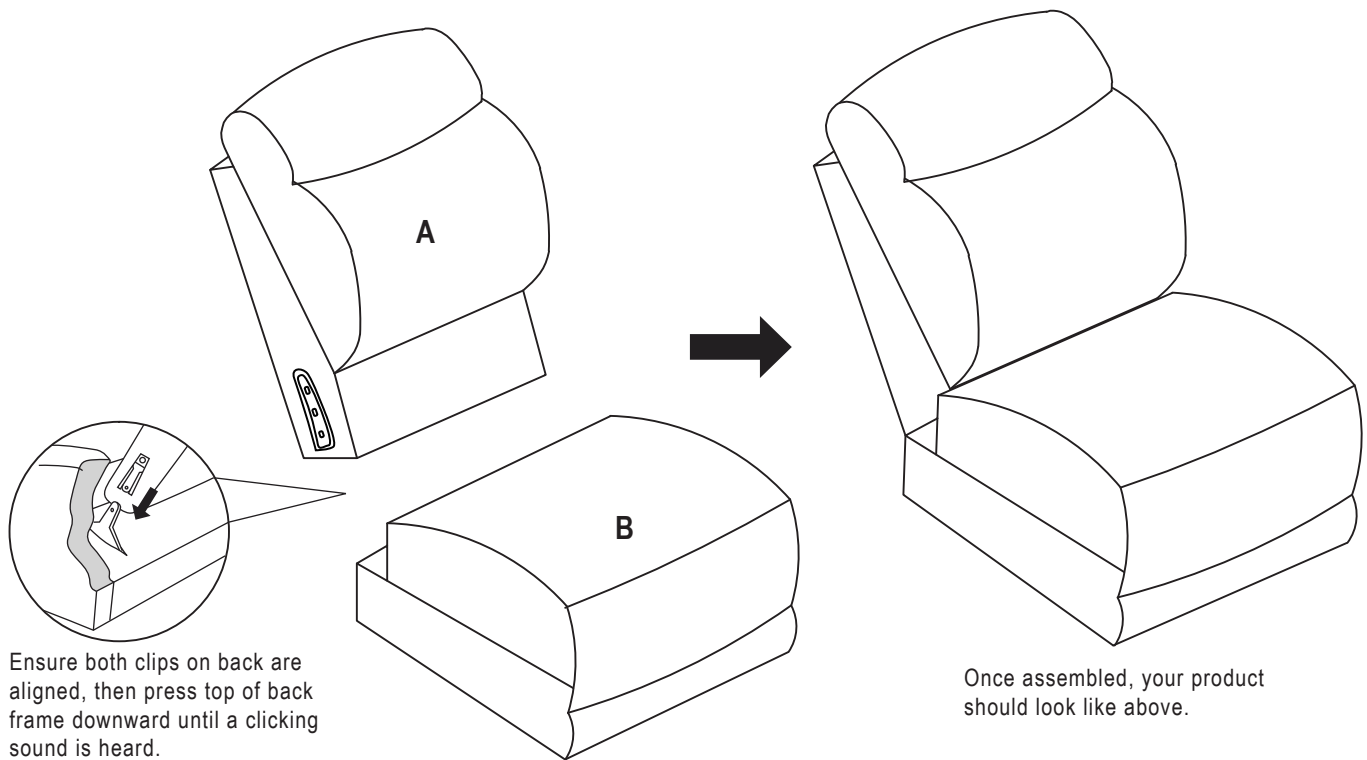
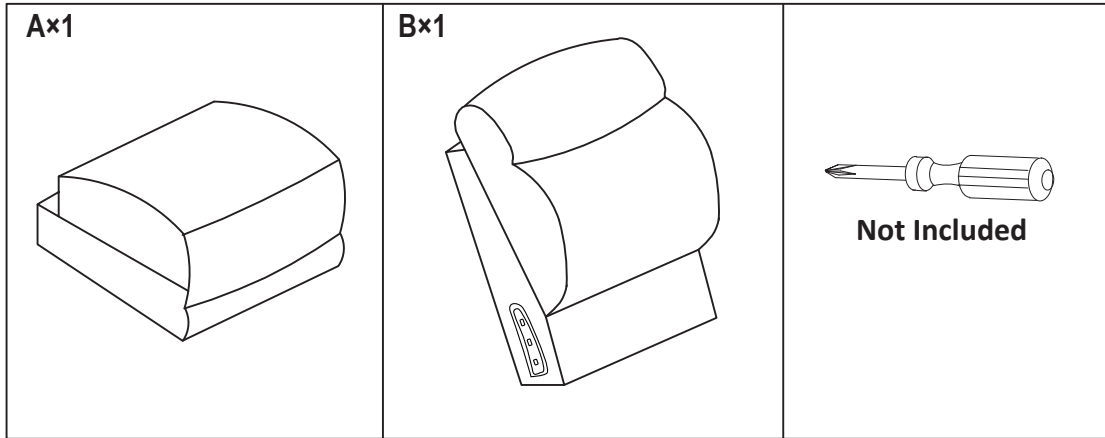


# ASSEMBLY INSTRUCTION

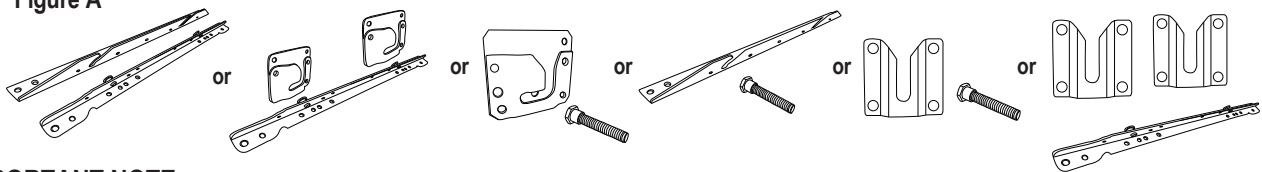
ITEM:SS640-A-088 Torres Armless Chair

Thank you for purchasing this quality product. Be sure to unpack carefully looking for small parts which may have come loose during shipment. Read all instruction and study the drawing carefully before starting the assembly process.



You can connect two or more recliners by connecting each position with male and female buckle as Figure A illustrated.

Figure A



**IMPORTANT NOTE**

- To avoid any risk of suffocation to children or pets, dispose of all plastic bags immediately.
- To ensure proper performance, occasionally check for loose screws and tighten as needed.

**Customer Service**

If you have any questions regarding the use of this unit, or find that your unit needs service, please contact your retailer.