

PARTS LIST / LISTE DES PIÈCES / LISTA DE PIEZAS

ITEM NO. / ARTICLE NO. / ARTICULO NO : S542-010/031

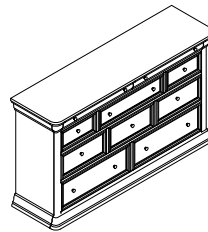
DESCRIPTION / DESCRIPCIÓN : DRESSER - COMMODE - TOCADOR
MIRROR - MIROIR - ESPEJO

WARNING

Children have died from furniture tip-over. To reduce the risk of furniture tip-over:

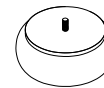
- ALWAYS install tip-over restraint provided.
- NEVER put a TV on this product.
- NEVER allow children to stand, climb or hang on drawers, doors, or shelves.
- NEVER open more than one drawer at a time.
- Place heaviest items in the lowest drawers.

This is a permanent label. Do not remove!



A

x1 Dresser
x1 Commode
x1 Tocador



B

x4 Bun Foot *
x4 Pied en forme d'oignon
x4 Pata redonda



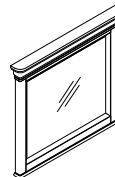
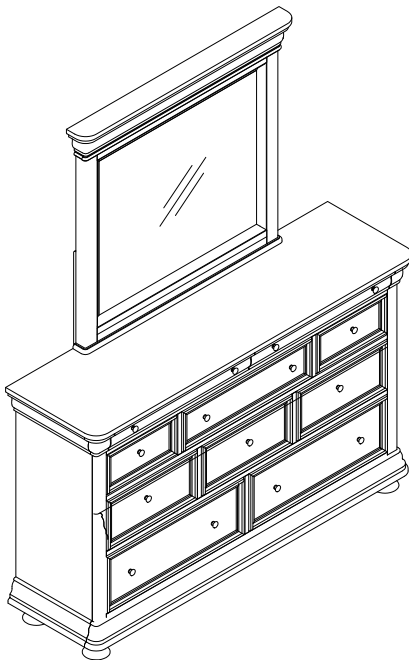
C

x1 Center leg *
x1 Pattes centrales
x1 Patas centrales



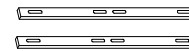
D

x1 Furniture Tipping Restraint
x1 Systeme antibasculement
x1 Control para evitar vulcos



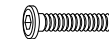
E

x1 Mirror
x1 Miroir
x1 Espejo



F

x2 Mirror Support *
x2 Supporte de miroir
x2 Soporte del espejo



G

x8 Allen bolt Ø1/4"x38mm *
x8 Vis à tête creuse hexagonale Ø1/4"x38mm
x8 Perno Allen Ø1/4"x38mm



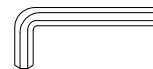
H

x8 Lock washer Ø1/4"x1.8mm *
x8 Rondelle de blocage Ø1/4"x1.8mm
x8 Arandela de Seguridad Ø1/4"x1.8mm



I

x8 Flat Washer Ø1/4"x16x2mm *
x8 Rondelle plate Ø1/4"x16x2mm
x8 Arandela plana Ø1/4"x16x2mm



J

x1 Allen Key 4mm *
x1 Clé hexagonale 4mm
x1 Llave Allen 4mm

* Replaceable Part

ASSEMBLY INSTRUCTION / NOTICE DE MONTAGE / INSTRUCCIONES DE MONTAJE

ITEM NO. / ARTICLE NO. / ARTICULO NO : S542-010/031

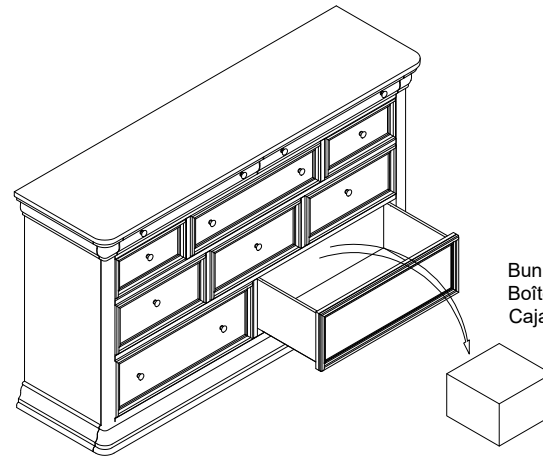
DESCRIPTION / DESCRIPCIÓN : DRESSER - COMMODE - TOCADOR
MIRROR - MIROIR - ESPEJO

WARNING

Children have died from furniture tip-over. To reduce the risk of furniture tip-over:

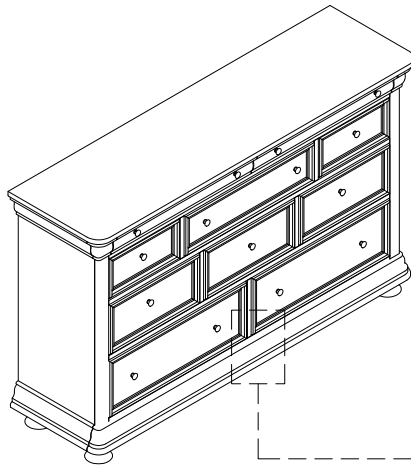
- ALWAYS install tip-over restraint provided.
- NEVER put a TV on this product.
- NEVER allow children to stand, climb or hang on drawers, doors, or shelves.
- NEVER open more than one drawer at a time.
- Place heaviest items in the lowest drawers.

This is a permanent label. Do not remove!

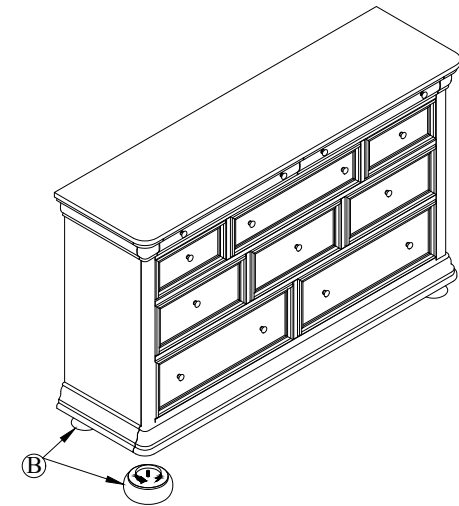
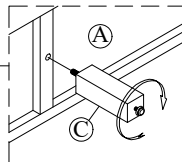


Bun Foot Carton
Boîte des pieds en forme
Caja de las patas redondas

Steps 1



Steps 3



Steps 2

* Replaceable Part

ASSEMBLY INSTRUCTION / NOTICE DE MONTAGE / INSTRUCCIONES DE MONTAJE
ITEM NO. / ARTICLE NO. / ARTICULO NO : S542-010/031

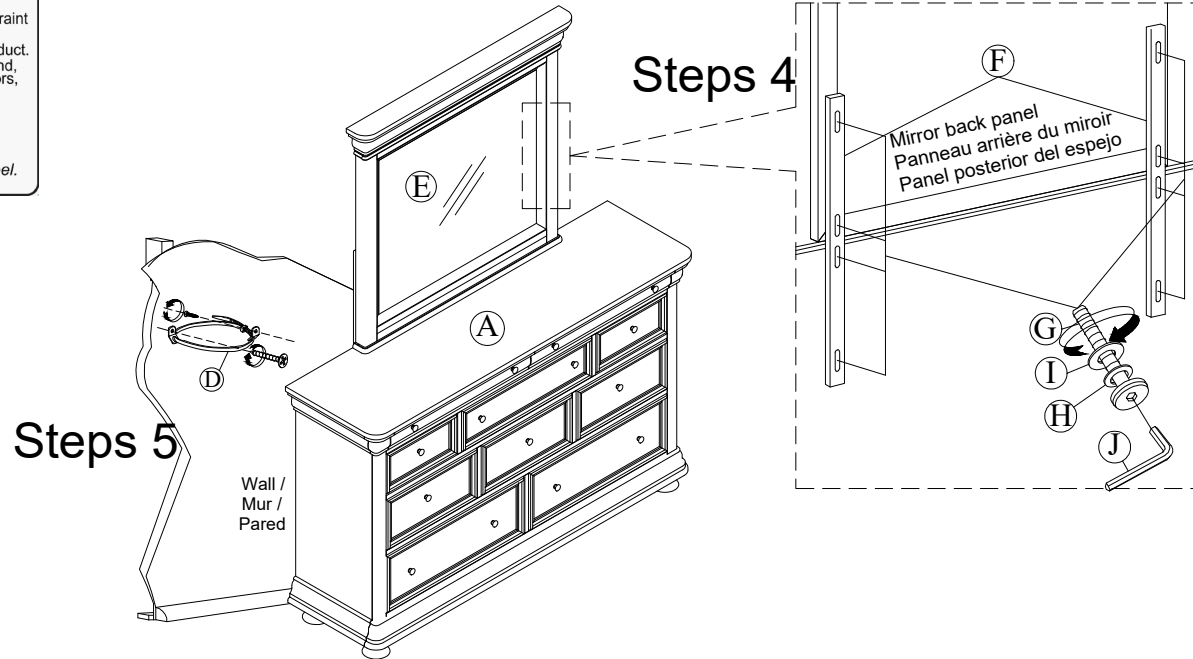
DESCRIPTION / DESCRIPCIÓN : DRESSER - COMMODE - TOCADOR
MIRROR - MIROIR - ESPEJO

WARNING

Children have died from furniture tip-over. To reduce the risk of furniture tip-over:

- ALWAYS install tip-over restraint provided.
- NEVER put a TV on this product.
- NEVER allow children to stand, climb or hang on drawers, doors, or shelves.
- NEVER open more than one drawer at a time.
- Place heaviest items in the lowest drawers.

This is a permanent label. Do not remove!

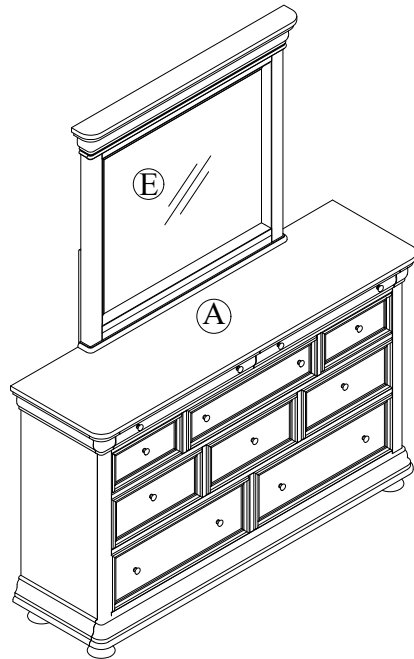
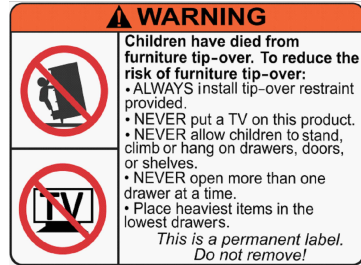


* Replaceable Part

REPLACEABLE PART/ PARTIE REMPLACABLE/ PARTE REEMPLAZABLE

ITEM NO. / ARTICLE NO. / ARTICULO NO : S542-010/031

DESCRIPTION / DESCRIPCIÓN : DRESSER - COMMODE - TOCADOR
MIRROR - MIROIR - ESPEJO



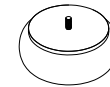
x11 RS542-010-KNOBS - Big Knob with Screw *
Gros POIGNÉE et vis
TIRADOR grande y Tornillo



x4 RS542-010-KNOBS - Small Knob with Screw *
Petit POIGNÉE et vis
TIRADOR pequeña con Tornillo



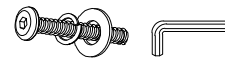
x10 COMGLIDE 12-45 Glide 12inch 45mm *
Glissière
Carril de deslizamiento



x4 RS542-010-FOOT-Bun Foot *
Pied en forme d'oignon
Pata redonda



x2 RS542-031-MISU - Mirror Support *
Supporte de miroir
Soporte del espejo



x1 RS542-031-HWKIT-Hardware Kit *
Liste des pièces de quincaillerie
Lista de materiales



x1 RS542-010-CELEG- Center leg *
Pattes centrales
Patatas centrales



x4 RC-BL-NAIL - Black Plastic Nail *
Clou en plastique
Clavo de plástico



x1 RC-FG-BLACK- Black Leveler *
Patin réglable
Nivelador

* Replaceable Part