



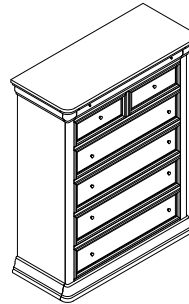

PARTS LIST / LISTE DES PIÈCES / LISTA DE PIEZAS
ITEM NO. / ARTICLE NO. / ARTICULO NO : S542-040
DESCRIPTION / DESCRIPCIÓN : CHEST - COMMODO - CÓMODA

WARNING

Children have died from furniture tip-over. To reduce the risk of furniture tip-over:

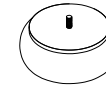
- ALWAYS install tip-over restraint provided.
- NEVER put a TV on this product.
- NEVER allow children to stand, climb or hang on drawers, doors, or shelves.
- NEVER open more than one drawer at a time.
- Place heaviest items in the lowest drawers.

This is a permanent label. Do not remove!



A

x1 Chest
x1 Commode
x1 Cómoda



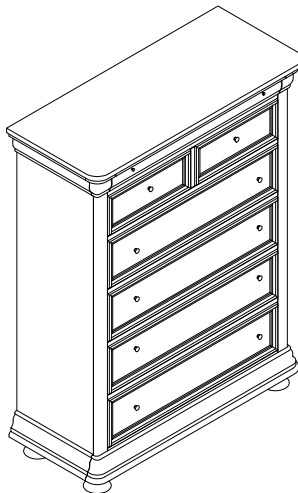
B

x4 Bun Foot *
x4 Pied en forme d'oeignon
x4 Pata redonda



C

x1 Furniture Tipping Restraint
x1 Systeme antibasculement
x1 Control para evitar vulcos



* Replaceable Part

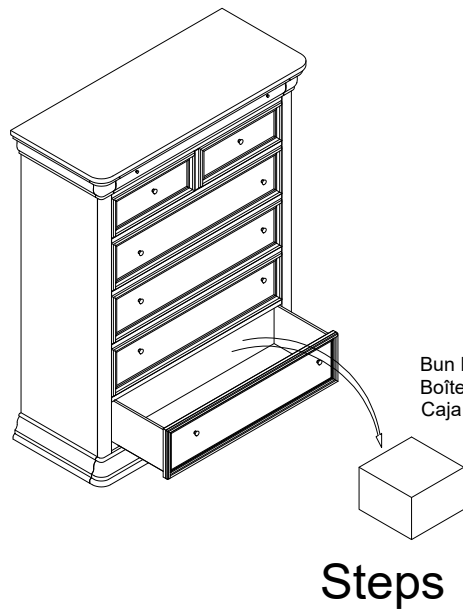

ASSEMBLY INSTRUCTION / NOTICE DE MONTAGE / INSTRUCCIONES DE MONTAJE
ITEM NO. / ARTICLE NO. / ARTICULO NO : S542-040
DESCRIPTION / DESCRIPCIÓN : CHEST - COMMODE - CÓMODA

WARNING

Children have died from furniture tip-over. To reduce the risk of furniture tip-over:

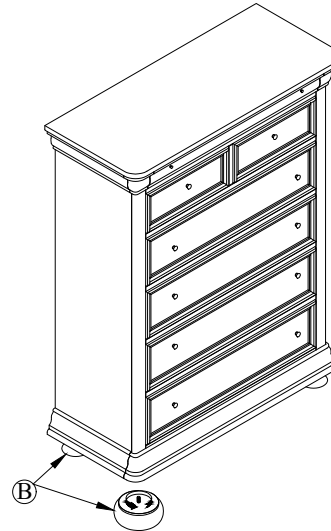
- ALWAYS install tip-over restraint provided.
- NEVER put a TV on this product.
- NEVER allow children to stand, climb or hang on drawers, doors, or shelves.
- NEVER open more than one drawer at a time.
- Place heaviest items in the lowest drawers.

This is a permanent label. Do not remove!

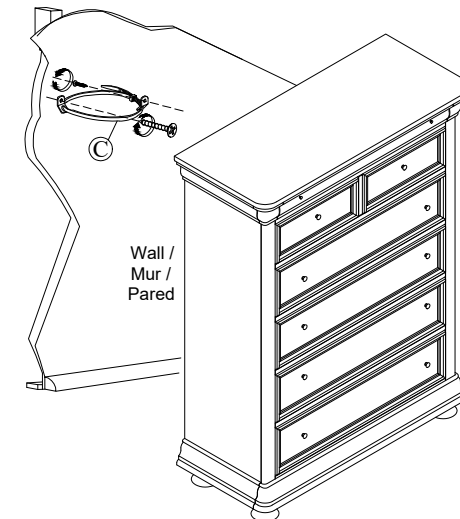


Bun Foot Carton
Boîte des pieds en forme
Caja de las patas redondas

Steps 2



Steps 3



* Replaceable Part



REPLACEABLE PART/ PARTIE REMPLACABLE/ PARTE REEMPLAZABLE

ITEM NO. / ARTICLE NO. / ARTICULO NO : S542-040

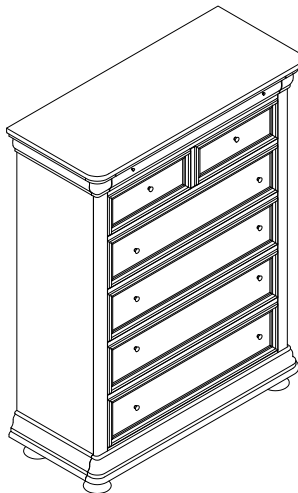
DESCRIPTION / DESCRIPCIÓN : CHEST - COMMUNE - CÓMODA

WARNING

Children have died from furniture tip-over. To reduce the risk of furniture tip-over:

- ALWAYS install tip-over restraint provided.
- NEVER put a TV on this product.
- NEVER allow children to stand, climb or hang on drawers, doors, or shelves.
- NEVER open more than one drawer at a time.
- Place heaviest items in the lowest drawers.

This is a permanent label. Do not remove!



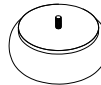
x10 RS542-040-KNOB - Big knob with Screw *
Gros POIGNÉE et vis
TIRADOR grande y Tornillo



x2 RS542-010-KNOBS - Small knob with Screw *
Petit POIGNÉE et vis
TIRADOR pequeña con Tornillo



x 6 COMGLIDE 12-45 Glide 12inch 45mm *
Glissière
Carril de deslizamiento



x4 RS542-010-FOOT-Bun Foot *
Pied en forme d'oignon
Pata redonda



x4 RC-BL-NAIL - Black Plastic Nail *
Clou en plastique
Clavo de plástico

* Replaceable Part