



## PARTS LIST / LISTE DES PIÈCES / LISTA DE PIEZAS

ITEM / NO D'ARTICLE / ARTICULO : S808-012/S808-032

DESCRIPTION / DESCRIPCIÓN: VANITY MIRROR/ MIROIR DE COIFFEUSE/ ESPEJO DE TOCADOR

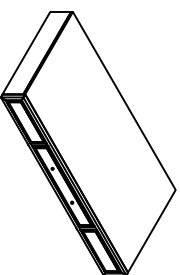
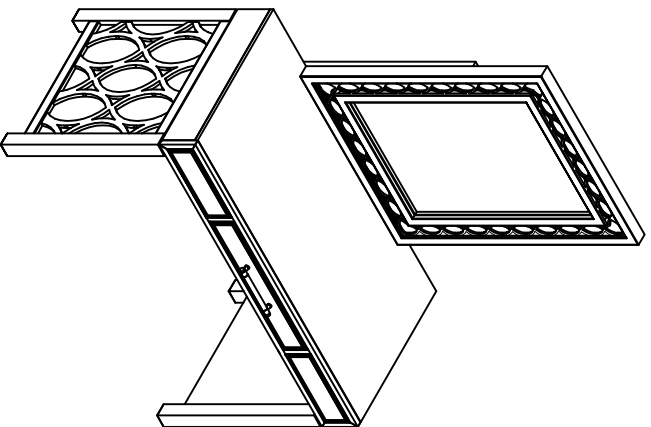
WARNING

**Children have died from furniture tipover. To reduce the risk of furniture tipover:**

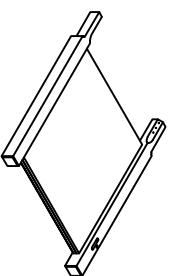
- ALWAYS install tipover restraint provided.
- NEVER put a TV on this product.
- NEVER allow children to stand, climb or hang on drawers, doors, or shelves.
- NEVER open more than one drawer at a time.
- PLACE heaviest items in the lowest drawers.

This is a permanent label.  
Do not remove!



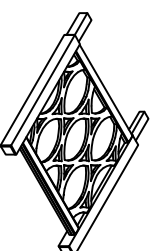
**A**

- x1 Table top
- x1 Dessus de table
- x1 Tablero de mesa



**B**

- x1 Table Left Leg \*
- x1 Patte de droite
- x1 Pata derecha



**C**

- x1 Table Right Leg \*
- x1 Patte de gauche
- x1 Pata izquierda



**D**

- x1 Connect rail \*
- x1 Traverse
- x1 Travesaño



**E**

- x1 Mirror
- x1 Miroir
- x1 Espejo



**F**

- x2 Mirror Support \*
- x2 Supporte de miroir
- x2 Soporte del espejo



**G**

- x1 Furniture Tipping Restraint \*
- x1 Systeme antichocusement
- x1 Control para evitar vultcos



**1**

- x10 Allen bolt Ø5/16"x18x40mm \*
- x10 Vis à tête creuse hexagonale Ø5/16"x18x40mm
- x10 Perno Allen Ø5/16"x18x40mm



**2**

- x10 Lock washer Ø5/16"\*
- x10 Rondelle de blocage Ø5/16"
- x10 Arandela de Seguridad Ø5/16"



**3**

- x10 Flat Washer Ø5/16"x19x1.5mm \*
- x10 Rondelle plate Ø5/16"x19x1.5mm
- x10 Arandela plana Ø5/16"x19x1.5mm



**4**

- x8 Allen bolt Ø1/4"x18x32mm \*
- x8 Vis à tête creuse hexagonale Ø1/4"x18x32mm
- x8 Perno Allen Ø1/4"x18x32mm



**5**

- x8 Lock washer Ø1/4" \*
- x8 Rondelle de blocage Ø1/4"
- x8 Arandela de Seguridad Ø1/4"



**6**

- x8 Flat Washer Ø1/4"x19x1.5mm \*
- x8 Rondelle plate Ø1/4"x19x1.5mm
- x8 Arandela plana Ø1/4"x19x1.5mm



**7**

- x1 Allen Key 4mm \*
- x1 Clé hexagonale 4mm
- x1 Llave Allen 4mm

\* Replaceable Part

# ASSEMBLY INSTRUCTIONS / NOTICE DE MONTAGE / INSTRUCCIONES DE MONTAJE

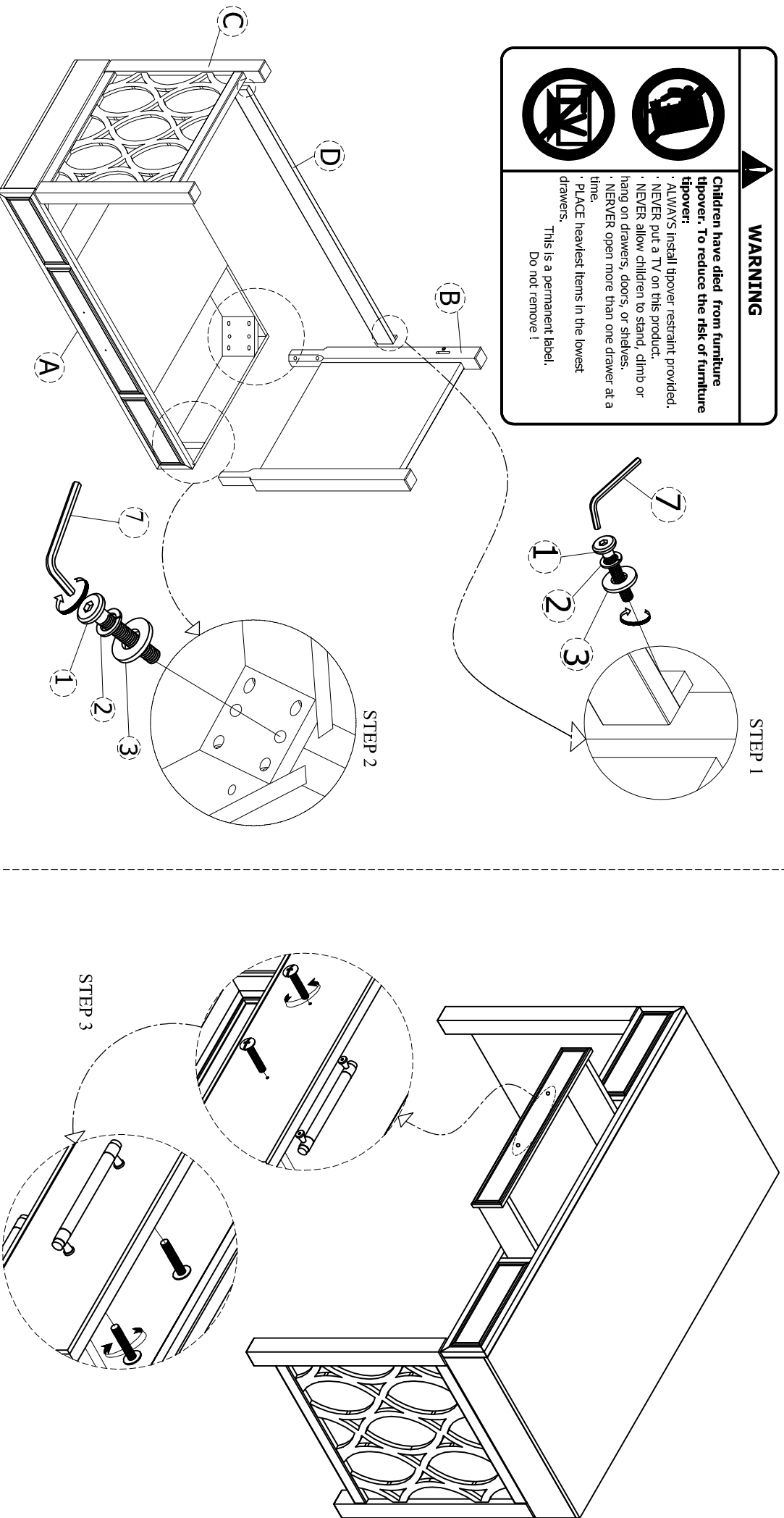
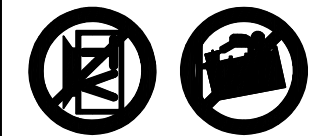
ITEM / NO D'ARTICLE / ARTICULO : S808-012/S808-032

DESCRIPTION / DESCRIPTION: VANITY MIRROR/ MIROIR DE COIFFEUSE/ ESPEJO DE TOCADOR

## WARNING

Children have died from furniture tipover. To reduce the risk of furniture tipover:

- ALWAYS install tipover restraint provided.
  - NEVER put a TV on this product.
  - NEVER allow children to stand, climb or hang on drawers, doors, or shelves.
  - NEVER open more than one drawer at a time.
  - PLACE heaviest items in the lowest drawers.
- This is a permanent label. Do not remove!



\* Replaceable Part

# ASSEMBLY INSTRUCTIONS / NOTICE DE MONTAGE / INSTRUCCIONES DE MONTAJE

ITEM / NO D'ARTICLE / ARTICULO : S808-012/S808-032

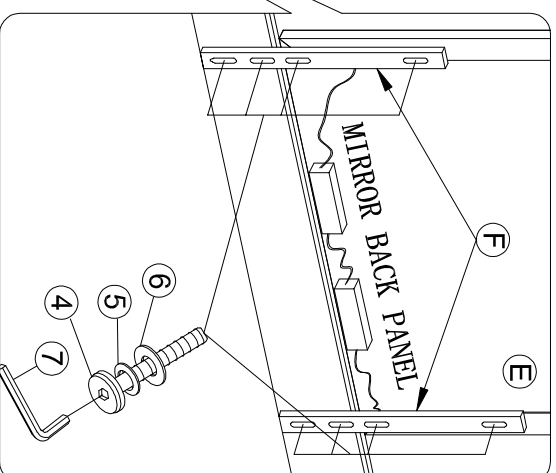
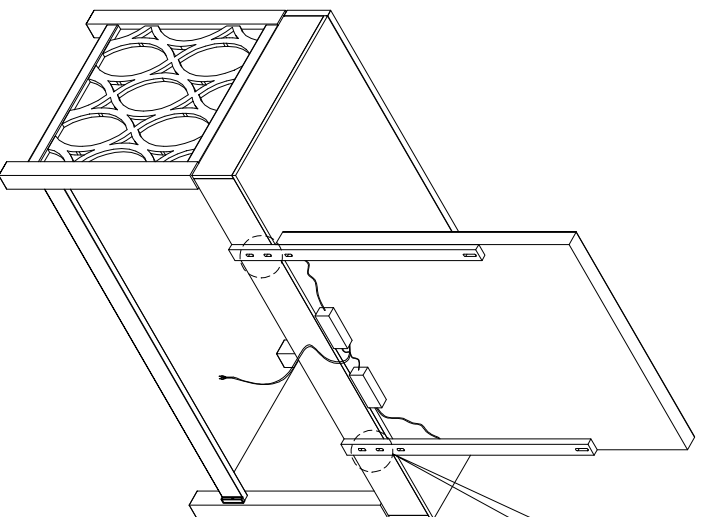
DESCRIPTION / DESCRIPCIÓN: VANITY MIRROR/ MIROIR DE COIFFEUSE/ ESPEJO DE TOCADOR

## WARNING

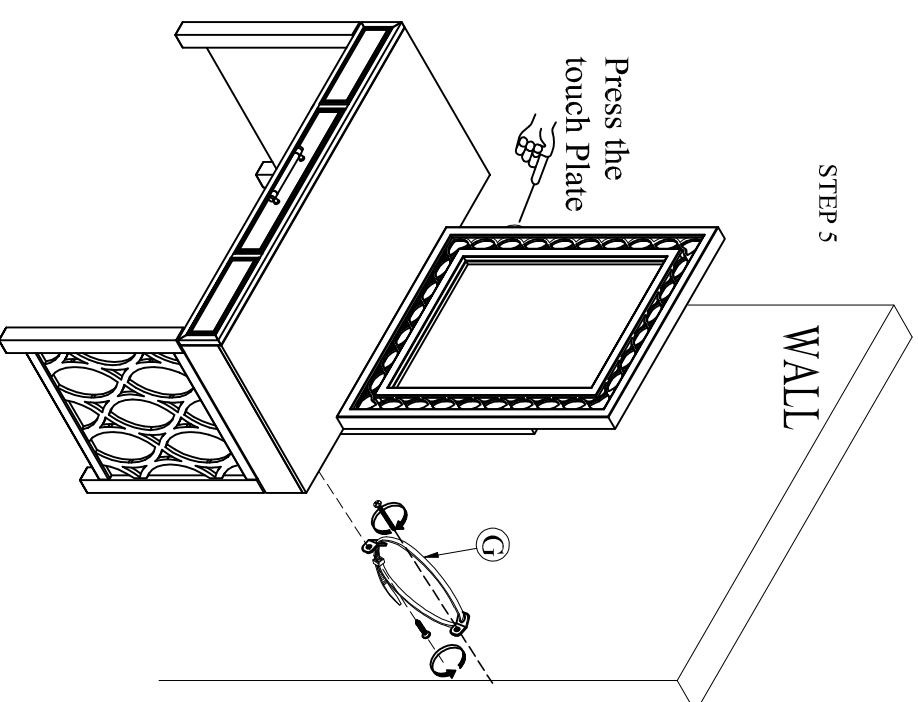
Children have died from furniture tipover. To reduce the risk of furniture tipover:

- ALWAYS install tipover restraint provided.
- NEVER put a TV on this product.
- NEVER allow children to stand, climb or hang on drawers, doors, or shelves.
- NEVER open more than one drawer at a time.
- PLACE heaviest items in the lowest drawers.

This is a permanent label. Do not remove!



STEP 4



STEP 5

\* Replaceable Part

# REPLACEABLE PART / PARTIE REMPLAÇABLE / PARTE REMPLAZABLE

ITEM / NO D'ARTICLE / ARTICULO : S808-012/S808-032

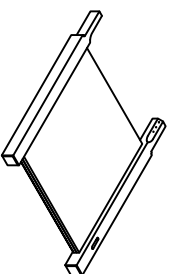
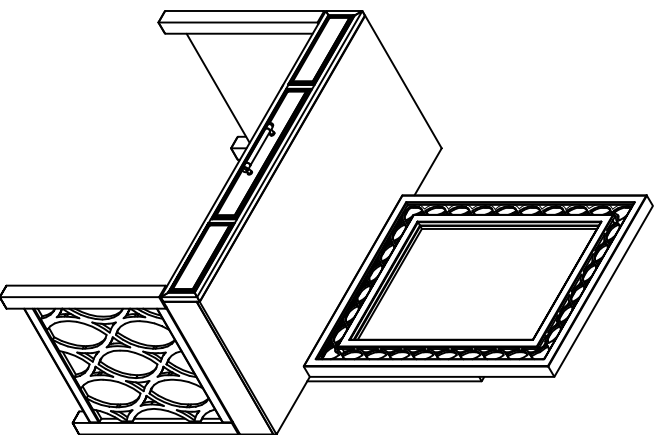
DESCRIPTION / DESCRIPCIÓN: VANITY MIRROR/ MIROIR DE COIFFEUSE/ ESPEJO DE TOCADOR

## WARNING

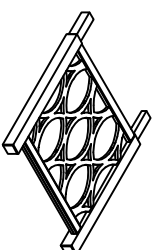
Children have died from furniture tipover. To reduce the risk of furniture tipover:

- ALWAYS install tipover restraint provided.
- NEVER put a TV on this product.
- NEVER allow children to stand, climb or hang on drawers, doors, or shelves.
- NEVER open more than one drawer at a time.
- PLACE heaviest items in the lowest drawers.

This is a permanent label. Do not remove!



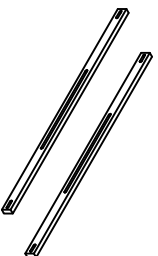
x1 RS808-012-LEGL-Left leg  
Patte de gauche  
Pata izquierda



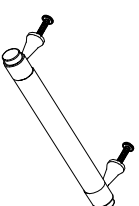
x1 RS808-012 - LEGR -Right leg  
Patte de droite  
Pata derecha



x1 RS808-012-RAIL-Connect rail  
Traverse  
Traversaño



x2 RS808-032-MISU- Mirror Support \*  
Supporte de miroir  
Soporte del espejo



x1 RS808-010-PULL-Pull+ Screw \*  
Poignée + vis  
Tirador + Tornillo



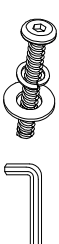
x1 COMGLIDE-12-45-Common Glide 12in-45mm \*  
Tiroir Glide  
Deslizamiento del cajón



x1 RC-ANTI-TIP - Anti-tipping restraint  
Liste des pièces de quincaillerie antibasculement  
Lista del kit de materiales antivuelco



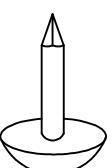
x1 RS808-012-HWKIT -Hardware kit list  
Liste des pièces de quincaillerie  
Lista del kit de materiales



x1 RS808-032-HWKIT -Hardware kit list  
Liste des pièces de quincaillerie  
Lista del kit de materiales



x1 RS808-032-LIGHT - Light  
Luminaire  
Lámpara



x4 RC-WH-NAIL - White plastic nail  
Clou en plastique  
Clavo de plástico

\* Replaceable Part