



PARTS LIST / LISTE DES PIÈCES / LISTA DE PIEZAS

ITEM / NO D'ARTICLE / ARTICULO : S808-050

DESCRIPTION / DESCRIPTION: NIGHTSTAND / TABLE DE CHEVET / MESA DE NOCHE

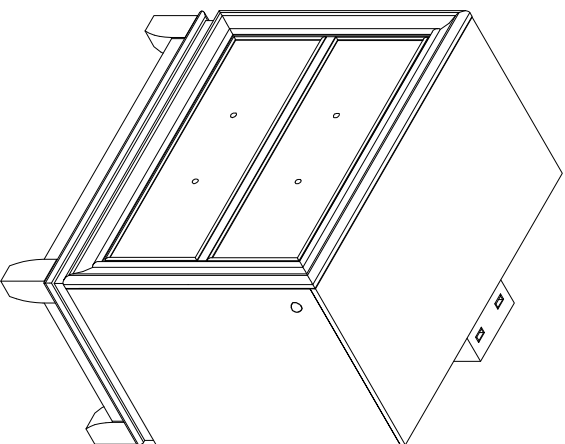
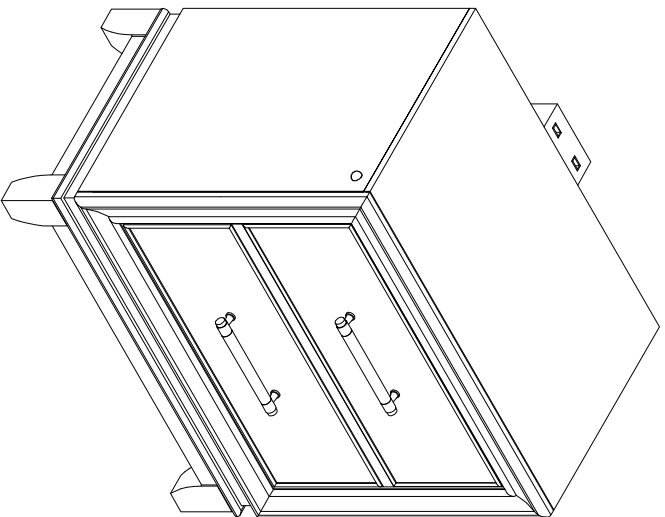


WARNING

Children have died from furniture tipover. To reduce the risk of furniture tipover:

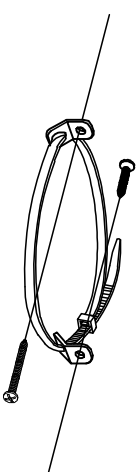
- ALWAYS install tipover restraint provided.
- NEVER put a TV on this product.
- NEVER allow children to stand, climb or hang on drawers, doors, or shelves.
- NEVER open more than one drawer at a time.
- PLACE heaviest items in the lowest drawers.

This is a permanent label. Do not remove!



A

- x1 Night stand
- x1 Table de chevet
- x1 Mesa de noche




B

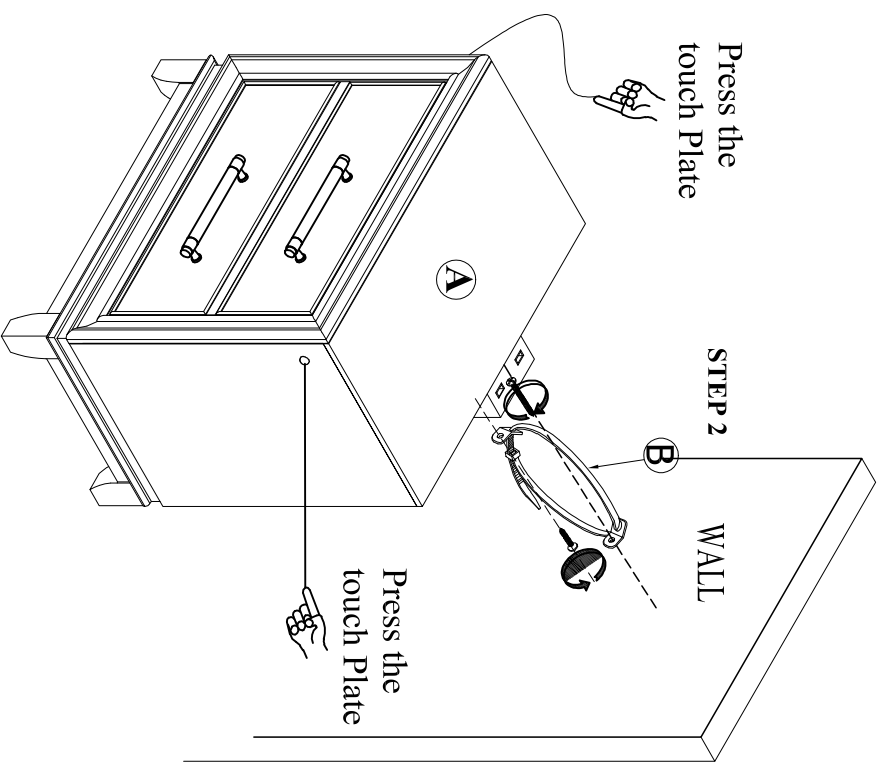
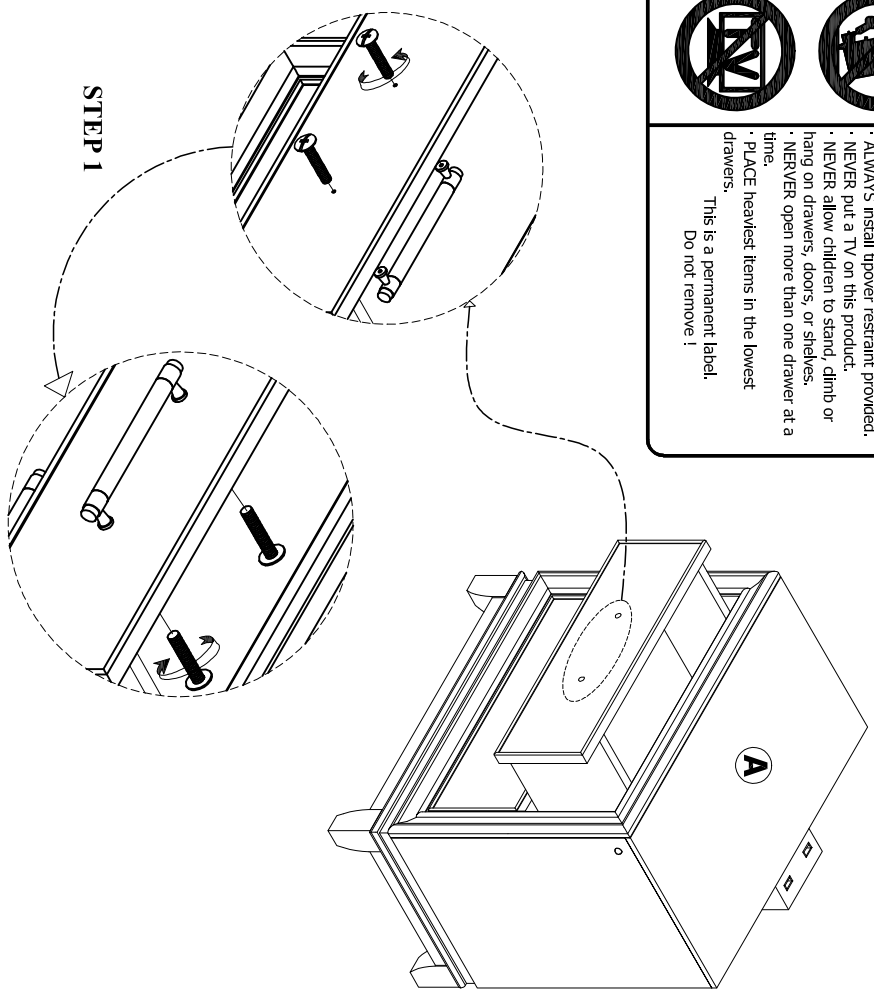
- x1 Furniture Tipping Restraint *
- x1 Systeme antibasculement
- x1 Control para evitar vultcos

* Replaceable Part



ASSEMBLY INSTRUCTIONS / NOTICE DE MONTAGE / INSTRUCCIONES DE MONTAJE
ITEM / NO D'ARTICLE / ARTICULO : S808-050
DESCRIPTION / DESCRIPCIÓN: NIGHTSTAND / TABLE DE CHEVET / MESA DE NOCHE

 WARNING	<p>Children have died from furniture tipover. To reduce the risk of furniture tipover:</p> <ul style="list-style-type: none">• ALWAYS install tipover restraint provided.• NEVER put a TV on this product.• NEVER allow children to stand, climb or hang on drawers, doors, or shelves.• NEVER open more than one drawer at a time.• PLACE heaviest items in the lowest drawers. <p>This is a permanent label. Do not remove!</p>
-------------------------------------------------------------------------------------------------------	--------------------------------------------------------------------------------------------------------------------------------------------------------------------------------------------------------------------------------------------------------------------------------------------------------------------------------------------------------------------------------------------------------------------------------------------------------------------------------------------



* Replaceable Part



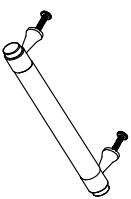
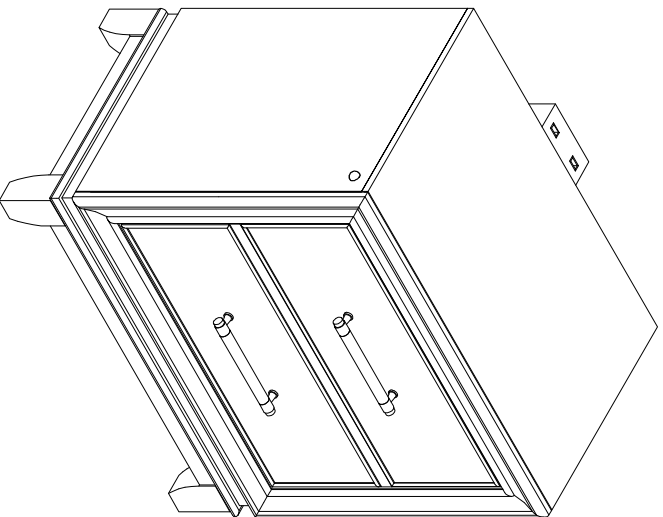
REPLACEABLE PART / PARTIE REMPLAÇABLE / PARTE REEMPLAZABLE
 ITEM / NO D'ARTICLE / ARTICULO : S808-050
 DESCRIPTION / DESCRIPCIÓN: NIGHTSTAND / TABLE DE CHEVET / MESA DE NOCHE

WARNING

Children have died from furniture tipover. To reduce the risk of furniture tipover:

- ALWAYS install tipover restraint provided.
- NEVER put a TV on this product.
- NEVER allow children to stand, climb or hang on drawers, doors, or shelves.
- NEVER open more than one drawer at a time.
- PLACE heaviest items in the lowest drawers.

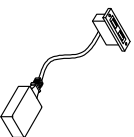
This is a permanent label. Do not remove!



x2 RS808-010-PULL -Pull+ Screw *
 Polignée + vis
 Tirador + Tornillo



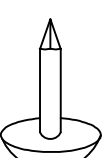
x2 COMGLIDE-10-45-Common Glide 10h-45mm*
 Tirador Glide
 Deslizamiento del cajón



x1 RS808-050-USB- USB ports *
 Piseses USB
 Conectores USB



x1 RC-ANTI-TIP-Anti-tipping Restraint
 Liste des pièces de quincaillerie antibasculement
 Lista del kit de materiales antivuelco



x4 RC-WH-NAIL-White plastic nail
 Clou en plastique
 Clavo de plástico



x1 RS808-050-LIGHT-Light
 Luminhaire
 Lámpara

* Replaceable Part