

PARTS LIST / LISTE DES PIÈCES / LISTA DE PIEZA

ITEM / NO D'ARTICLE / ARTICULO.: S892-010

S892-030

DESCRIPTION/ DESCRIPCION : Dresser / Commode / Tocador

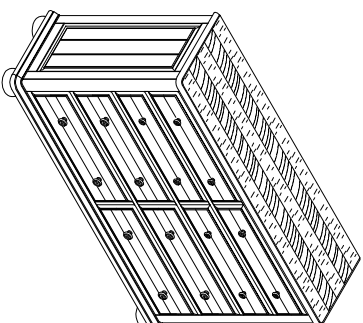
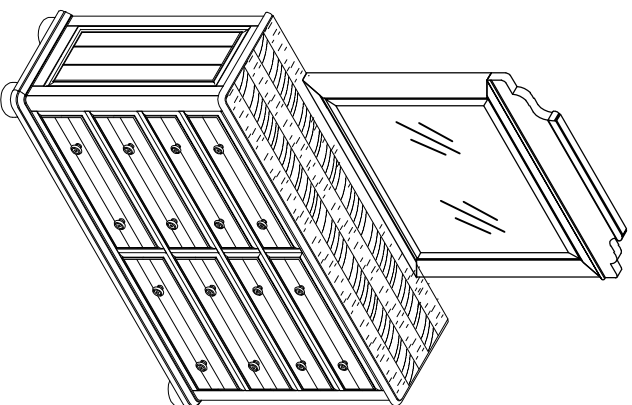
Mirror / Miroir / Espejo

⚠ WARNING

Children have died from furniture tipover. To reduce the risk of furniture tipover:

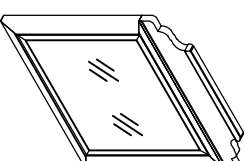
- ALWAYS install tipover restraint provided.
- NEVER put a TV on this product.
- NEVER allow children to stand, climb or hang on drawers, doors, or shelves.
- NEVER open more than one drawer at a time.
- Place heaviest items in the lowest drawers.

This is a permanent label. Do not remove!



A

x1 Dresser
x1 Commode
x1 Tocador



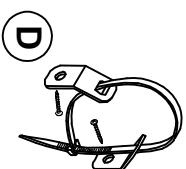
B

x1 Mirror
x1 Miroir
x1 Espejo



C

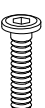
x2 Mirror Support
x2 Prise en charge du miroir
x2 Soporte de espejo



D

x1 Furniture Tipping Restraint
x1 Système antibascullement
x1 Control para evitar vuelcos

*



1

x8 Allen bolt Ø1/4"×1-3/4"
x8 Vis à tête creuse hexagonale Ø1/4"×1-3/4"
x8 Perno Allen Ø1/4"×1-3/4"

*



2

x8 Lock washer Ø1/4"×1-2mm
x8 Rondelle de blocage Ø1/4"×1-2mm
x8 Arandela de Seguridad Ø1/4"×1-2mm

*



3

x8 Flat washer Ø1/4"×1-9/2mm
x8 Rondelle plate Ø1/4"×1-9/2mm
x8 Arandela plana Ø1/4"×1-9/2mm

*



4

x1 Allen key M4
x1 Clé hexagonale
x1 Llave Allen

*

* Replaceable Part

ASSEMBLY INSTRUCTION / NOTICE DE MONTAGE / INSTRUCCIONES DE MONTAJE

ITEM / NO D'ARTICLE / ARTICULO.: S892-010

S892-030

DESCRIPTION/ DESCRIPCION : Dresser / Commode / Tocado

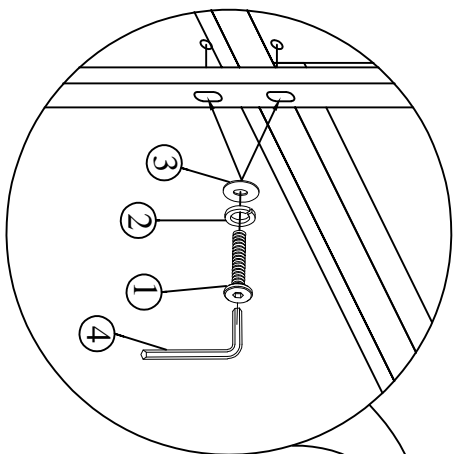
Mirror / Miroir / Espejo

⚠ WARNING

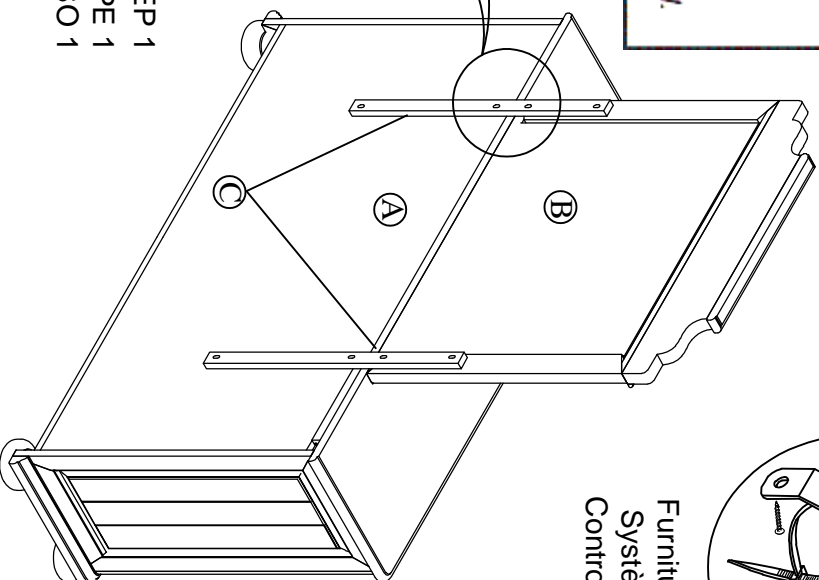
Children have died from furniture tipover. To reduce the risk of furniture tipover:

- ALWAYS install tipover restraint provided.
- NEVER put a TV on this product.
- NEVER allow children to stand, climb or hang on drawers, doors, or shelves.
- NEVER open more than one drawer at a time.
- Place heaviest items in the lowest drawers.

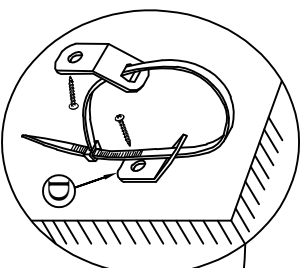
This is a permanent label. Do not remove!



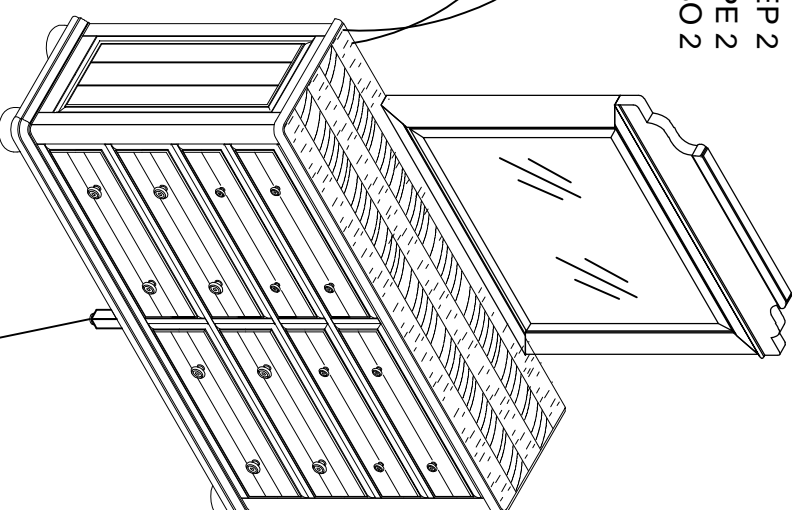
STEP 1
ÉTAPE 1
PASO 1



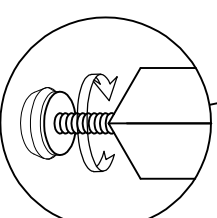
Furniture Tipping Restraint
Système antibasculement
Control para evitar vuelcos



STEP 2
ÉTAPE 2
PASO 2



Adjustable leveler
Patin réglable
Nivelador ajustable



* Replaceable Part

REPLACEABLE PART / PARTIE REMPLACABLE / PARTE REMPLAZABLE

ITEM / NO D'ARTICLE / ARTICULO.: S892-010

S892-030

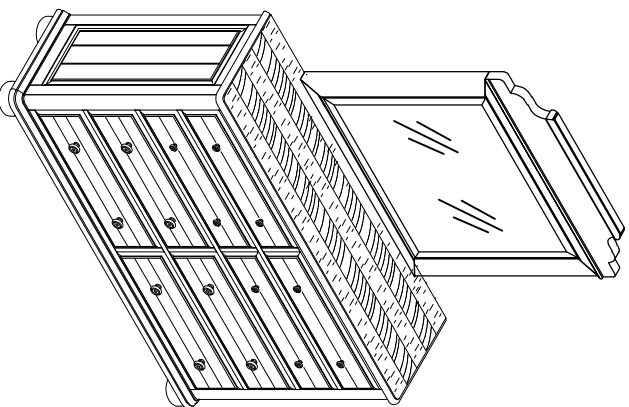
DESCRIPTION/ DESCRIPCION : Dresser / Commode / Tocador

Mirror / Miroir / Espejo

⚠ WARNING

Children have died from furniture tipover. To reduce the risk of furniture tipover:

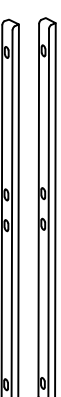
- ALWAYS install tipover restraint provided.
 - NEVER put a TV on this product.
 - NEVER allow children to stand, climb or hang on drawers, doors, or shelves.
 - NEVER open more than one drawer at a time.
 - Place heaviest items in the lowest drawers.
- This is a permanent label. Do not remove!*



x8 RS892-010/KNOB: Large Knob with Screw *
Polgnee + Vis
Tirador + Tornillo



x4 RC-WH-NAIL - White Plastic nail
clou en plastique blanc
clavo de plastico blanco



x2 RS892-030-MISU - Mirror Support
Supporte de miroir
Soporte del espejo



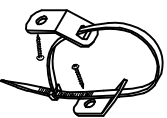
x8 RS892-010/KNOB: Small Knob with Screw *
Polgnee + Vis
Tirador + Tornillo



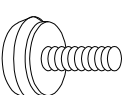
x8 COMGLIDE10-45 - Drawer Glide
Glissière
Deslizamiento del cajón



x1 RS892-030-HWKIT -Hardware kit list *
Liste des pièces de quincailleries
Lista del kit de materiales



x1 RC-ANTI-TIP-Furniture Tipping Restraint
Système antibasculement
Control para evitar vuelcos



x 1 RC-WH-White leveler
Niveleur blanc
Nivelador blanco

* Replaceable Part