

PARTS LIST / LISTE DES PIÈCES / LISTA DE PIEZA

ITEM / NO D'ARTICLE / ARTICULO : S892-040

DESCRIPTION / DESCRIPCION : Chest / Commode / Cómoda

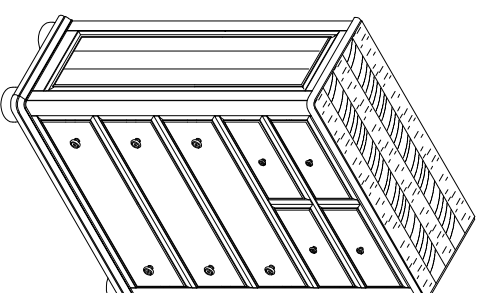


⚠ WARNING

Children have died from furniture tipover. To reduce the risk of furniture tipover:

- ALWAYS install tipover restraint provided.
- NEVER put a TV on this product.
- NEVER allow children to stand, climb or hang on drawers, doors, or shelves.
- NEVER open more than one drawer at a time.
- Place heaviest items in the lowest drawers.

*This is a permanent label.
Do not remove!*



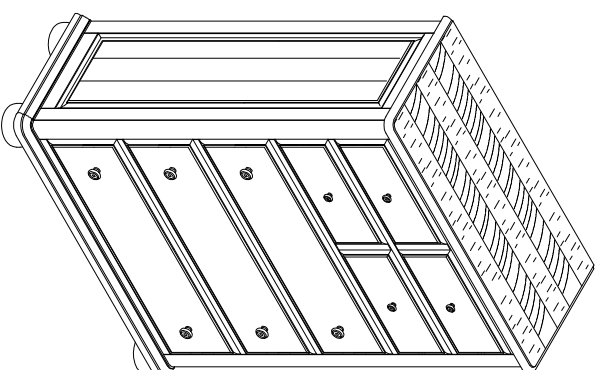
(A)

x1 Chest
x1 Commode
x1 Cómoda

(B)

x1 Furniture Tipping Restraint
x1 Système antibascullement
x1 Control para evitar vuelcos

*



* Replaceable Part

ASSEMBLY INSTRUCTION / NOTICE DE MONTAGE / INSTRUCCIONES DE MONTAJE

ITEM / NO D'ARTICLE / ARTICULO : S892-040

DESCRIPTION / DESCRIPCION : Chest / Commode / C6moda

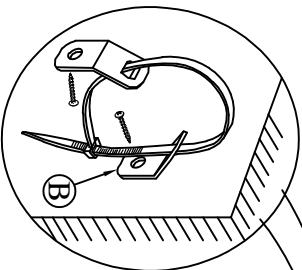


⚠ WARNING

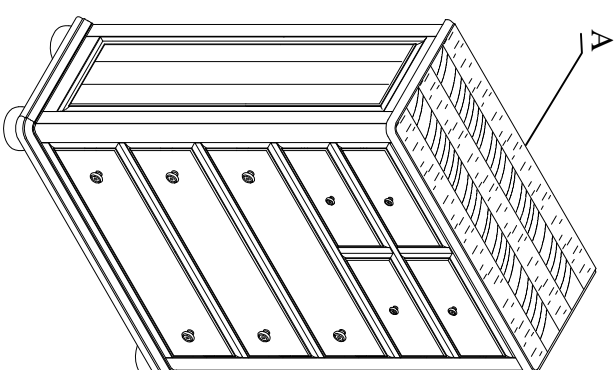
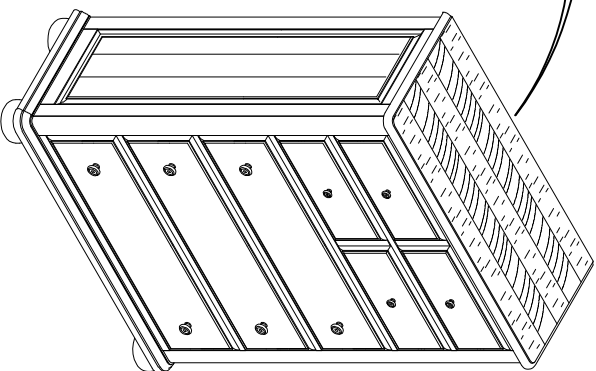
Children have died from furniture tipover. To reduce the risk of furniture tipover:

- ALWAYS install tipover restraint provided.
- NEVER put a TV on this product.
- NEVER allow children to stand, climb or hang on drawers, doors, or shelves.
- NEVER open more than one drawer at a time.
- Place heaviest items in the lowest drawers.

This is a permanent label. Do not remove!



Furniture Tipping Restraint
Système antibasculement
Control para evitar vuelcos



* Replaceable Part

REPLACEABLE PART / PARTIE REMPLACABLE / PARTE REMPLAZABLE

ITEM / NO D'ARTICLE / ARTICULO : S892-040

DESCRIPTION/ DESCRIPCION : Chest / Commode / C6moda

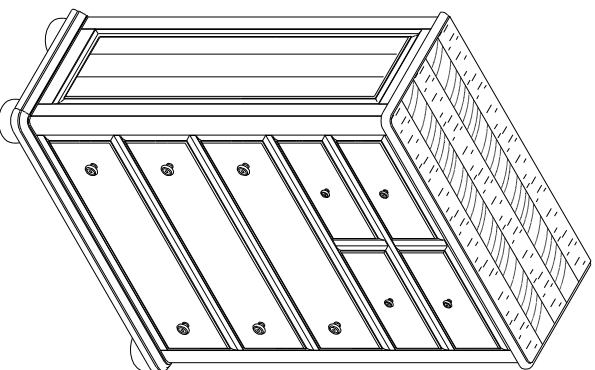


⚠ WARNING

Children have died from furniture tipover. To reduce the risk of furniture tipover:

- ALWAYS install tipover restraint provided.
- NEVER put a TV on this product.
- NEVER allow children to stand, climb or hang on drawers, doors, or shelves.
- NEVER open more than one drawer at a time.
- Place heaviest items in the lowest drawers.

This is a permanent label. Do not remove!



x6 RS892-040 /KNOBL Large Knob with Screw
Poignée + Vis
Tirador + Tornillo *



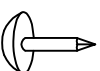
x4 RS892-040 /KNOBS Small Knob with Screw
Poignée + Vis
Tirador + Tornillo *



x5 COMGUIDE10-45 - Drawer Glide
Glissière
Deslizamiento del cajón *



x1 RC-ANTI-TIP-Furniture Tipping Restraint
Système antibasculement
Control para evitar vuelcos *



x4 RC-WH-NAIL - White Plastic nail
clou en plastique blanc
clavo de plastico blanco *

* Replaceable Part